



T A T R A

COMBI STEAM OVENS
BAKERY OVENS

Instruction Manual

ИНСТРУКЦИЯ ПО ЭКСПЛУАТАЦИИ И ТЕХНИЧЕСКОМУ ОБСЛУЖИВАНИЮ

Пароконвектоматы TATRA серии TPI

50LIB002



INDEX:	PAGE:
INSTRUCTIONS FOR THE INSTALLER	2
I. GENERAL AND SAFETY WARNINGS	3
II. PRELIMINARY OPERATIONS	3
III. INSTALLATION AREA	3
IV. PREPARING FOR INSTALLATION	4
V. ELECTRICAL CONNECTION	5
VI. WATER CONNECTION	8
VII. DRAINAGE CONNECTION	9
VIII. STACKING OVENS	10
IX. INFORMATION PLATE	10

INSTRUCTIONS FOR THE USER

I. WARNING	11
II. USING FOR THE FIRST TIME	12
III. ORDINARY MAINTENANCE	13
IV. EXTRAORDINARY MAINTENANCE	15
V. MAINTENANCE IN CASE OF BREAKAGE	15
VI. ADVICE DURING COOKING	16
VII. MECHANICAL OVEN CONTROL PANEL	18
VIII. DIGITAL OVEN CONTROL PANEL	20

INTRODUCTION

Dear client, thank you and congratulations for buying this appliance; we are confident that this is the beginning of a positive and long-lasting collaboration.

This manual has all the necessary information for the correct use, maintenance and installation of this appliance.

The objective of this manual is to enable the technician and user to take all measures and precautions necessary for the safe, efficient, long-term use of the appliance.

Keep this booklet in a safe place, over the entire life cycle of the product for subsequent reference by the operators designated to use and specialized technicians.

Where documents are lost or damaged the replacement documentation must be requested directly from the manufacturer or retailer.

The manufacturer is not held liable for any damage caused by people or things or for inappropriate use of the appliance, modifications or repairs carried out by unauthorized personnel or used with spare parts not recommended by the manufacturer and not intended for use with this model.

This appliance complies with the EEC directives in force.

INSTALLATION

I. GENERAL AND SAFETY WARNINGS

Read this instructions booklet carefully before starting the installation and start-up operations. **All installation, assembly, assistance and extraordinary maintenance shall be carried out by qualified personnel and supplied with necessary professional (authorizations by the manufacturer or retailer), in accordance with local laws in effect where installation takes place regarding product and workplace safety.**

Incorrect installation, assistance, maintenance, cleaning, tampering or modifications can cause malfunction, damage and breakage.

The appliance must only be used for cooking or heating of foods in industrial kitchens. Any other use is inappropriate and dangerous.

II. PRELIMINARY OPERATIONS

Once unpacked, ensure the oven is intact and does not show signs of damage due to transport. A damaged appliance must never be installed and commissioned; if in doubt, immediately contact the after-sales technical assistance or your own dealer.

In the case of damage or missing parts inform the carrier and retailer/manufacturer immediately, indicating the code (Art.) and serial number (Ser N°) and attach a photo.

Check that the installation area is kept clear so that doors, corridors and passageways are accessible.

III. INSTALLATION AREA

The appliance shall be installed in enclosed and well ventilated areas (not outdoors).

The ambient temperature of the place of installation of the oven must be higher than +4° C.

Before positioning the appliance, check the overall dimensions and the exact position of the electrical, water and fumes exhaust connections, fumes exhaust.

It is advised to place the oven under an extractor hood or in such a way that hot fumes and odors exit the oven via adequate ventilation to the outside.

The oven must be placed on a flat surface so that it does not slip or turn over.

The installation area must be able to support the weight of the appliance filled to the maximum.

See the information level on the back of the oven for the gross weight.

Make sure that it is placed so that the door may be fully opened.

Position it so that the back of the oven is easily accessible for maintenance, connection to the mains sockets, and water.

The appliance is not meant to be fitted and a 5 cm space must be left all round it.

Do not position other heat sources like, fryers or hotplates, near the oven.

If this is not possible at least respect the following distances from machinery: 50 cm from the sides and above the appliance and 70 cm from behind.

Do not place the device near materials or containers of inflammable liquids (such as walls, furniture, screens, gas canisters) as it can be a fire hazard.

If this is not possible, cover the inflammable parts with fire and heatproof material and by checking fire hazard regulations.

IV. PREPARING FOR INSTALLATION

Remove the outer packaging (wooden caging and/or carton box) and dispose it in compliance with the laws in force in the country of installation.

REMOVING PROTECTIVE FILM ETC.

All packaging must be fully removed, including the protective film applied on the external and internal walls.

Remove all information covering from the inside, and take off all plastic packaging.

STAND ADJUSTMENT

Do not use the appliance without feet.

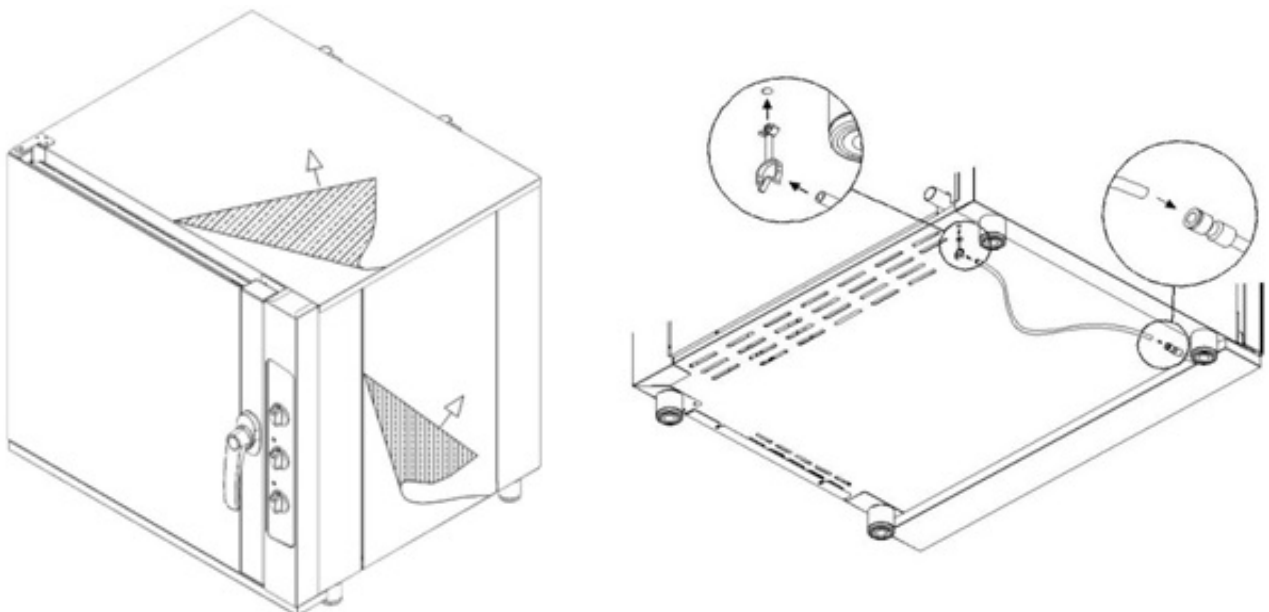
The adjustable feet are already screwed to the underside of the oven.

If they are not used, this prevents airflow from cooling the electric parts and outsides of the oven which causes over-heating and damage to components.

The oven will function correctly if placed level on a flat surface by adjusting the feet accordingly and using a spirit level. Screw or unscrew them as necessary to adjust.

FITTING THE DRIP TRAY DRAIN

Fit the plastic clip and the white water pipe that is inside the packaging. Check that the pipe is firmly connected so that water can flow from the tray to the drain (see image).



V.ELECTRIC CONNECTION

WARNING: Main connections must be carried out by a qualified and authorized technician according to national, international and local laws in the country where it is installed. Before mains connection, ensure that the frequency (...V) and voltage (...Hz) meet the requirements indicated in the information tag on the back of the appliance.

The electric system, as prescribed and specified by the Standard in force, must be equipped with an efficient ground.

It is possible to guarantee the electric safety of the appliance only in the presence of Standard electric system.

For direct connection to the mains, it is necessary to interpose a device between the equipment and the same mains, sized for the load, that ensure its disconnection.

The contacts must have an opening distance enabling the full disconnection, in conditions of over-voltage category III, per compliance with installation regulations.

This device also must be located in a place and in a manner to be easily accessible at any moment by the operator.

CONNECTING THE CABLE

Loosen the screws fixing the back panel of the oven and remove it.

The oven must be connected to the electricity with a rubber cable such as H07RN-F.

WARNING: the yellow/green voltage wires in the earth cable must be 3cm longer than the others.

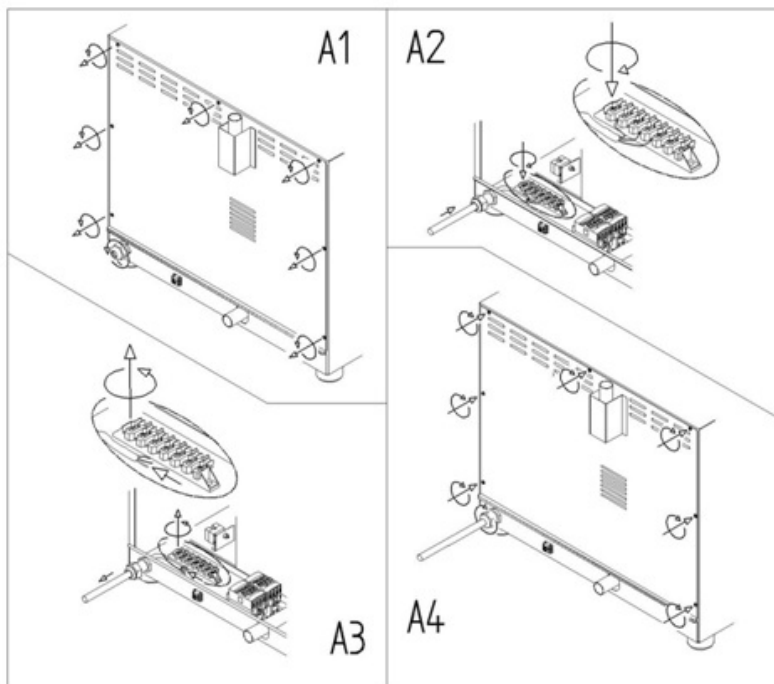
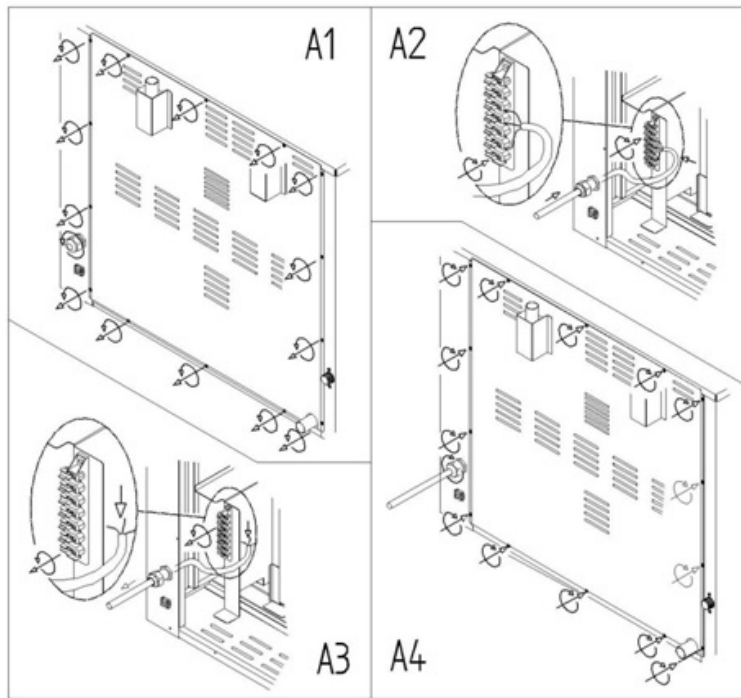


The appliance has terminal strips such as those in the diagram.

To connect to the electricity, see the label in the manual and stuck to the bottom of the back of the device beside the information plate.

Proceed as follows to connect the power supply wire to the terminal board:

- (A1) Loosen the tops of the cable gland and open the bottom part of the back of the appliance by loosening the screws.
- (A2) Feed the new cable through the cable gland.
- (A3) Connect the cable voltage to the terminal strips following the connection diagram on the label on the back of the appliance. Only connect what is indicated inserting the copper bridge and the electricity cable together under the screws, in the tightening direction, so the cable and the bridge are tightly fixed by tightening the screw. The type of cable to be used (H07RN-F) is indicated on the label for each connection and the voltage sections in mm .
- (A4) Close the bottom part of the back of the appliance by tightening the screws and fit the cable by tightening the cable gland top.



Erroneous connection could lead to overheating of the terminal board which could lead to blowout and electric shock.

Check that all the connections are tight before connecting the oven to the mains.

E = Yellow/Green: "EARTH" protection conductor.

N = Blue: neutral conductor.

L1, L2, L3 = Brown, Grey, Black: live conductors

Check there is no static discharge between live and earth.

Check the limit switch continuity between the external casing and the earth wire of the mains.

It is advised to use a multi tester to carry out these operations.

CABLE SUBSTITUTION

This must be carried out by a qualified authorized technician. The earth wire must always be yellow green.

WARNING: the yellow/green voltage wires in the earth cable must be 3cm longer than the others.

Proceed as follows to connect the power supply wire to the terminal board:

- (A1) Loosen the tops of the cable gland and open the side part of the appliance by loosening the screws.
- (A3) Loosen the terminal screws and feed the cable conductors through. Take out the old cable from the cable gland.
- (A2) Feed the new cable through the cable gland.

Connect the new cable's conductors to the terminal following the connection diagram on the label at the lower part of the back of the appliance.

Only connect what is indicated inserting the copper bridge and the electricity cable together under the screws, in the tightening direction, so the cable and the bridge are tightly fixed by tightening the screw.

The type of cable to be used (H07RN-F) is indicated on the label for each connection and the voltage sections in mm.

- (A4) Close the side part of the appliance by tightening the screws and fit the cable by tightening the cable gland top.

Check that all the connections are tight before connecting the oven to the mains.

WARNING: Erroneous connection could lead to overheating of the terminal board which could lead to blowout and electric shock.

Check there is no static discharge between live and earth.

Check the limit switch continuity between the external casing and the earth wire of the mains.

It is advised to use a multi tester to carry out these operations

The appliance must be connected to the mains using a H07RN-F cable.

EQUIPOTENTIAL CONNECTION

This connection shall be carried between the different appliances with the terminal marked by the symbol: (see image).

This terminal enables the connection of Yellow/Green cable with a section between 2.5 and 10mm.

The appliance shall be included in an equipotential system whose efficiency shall be duly verified according to the provisions of the laws in force.



VI. WATER CONNECTION

Make sure the device is placed near a water connection.

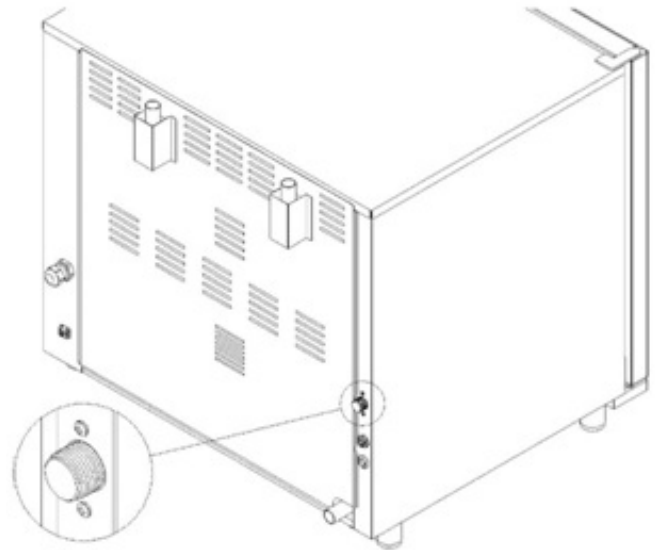
Before connecting the device, allow enough water through to remove any remnants in the piping so that they did not get into the magnetic valves.

It is necessary to install a shut-off valve and mechanical filter between the plumbing and the device.

On the back of the device, in the area marked with a label, the convection oven has an input G 3/4" with a filter.

The inflowing water shall have a pressure value comprised between 150 (1,5 bar) and 200 kPa (2bar) and a maximum temperature of 30°C.

If the inflow pressure value exceeds 200kPa (2bar), a pressure reducer will have to be installed, calibrated at 200kPa (2 bar).



WASHING WATER CONNECTION

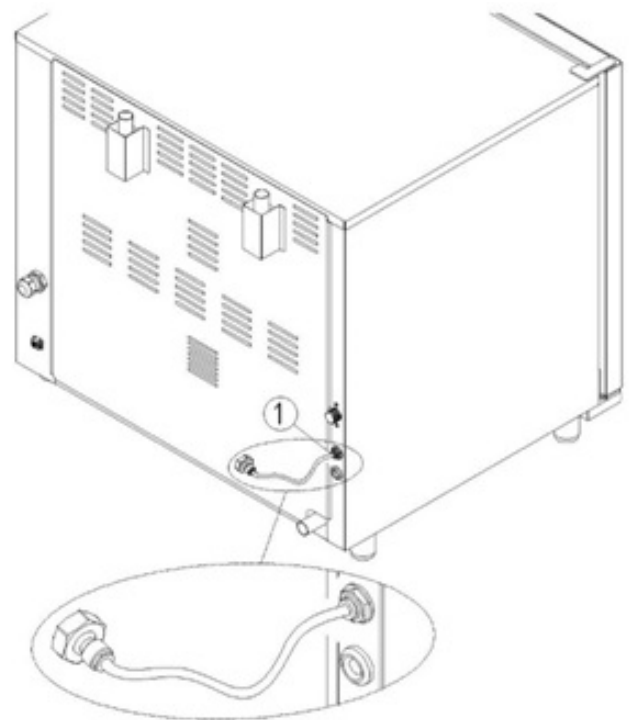
A shut-off valve and a mechanical filter must be placed between the mains water supply and the oven.

The rear of the oven has a G3/4" inlet with pipe.

ATTENTION: Before connecting the appliance to the mains water supply, rinse with water to eliminate any residue.

To guarantee proper operation of the cleaning system, the mains water supply pressure must be a minimum of 200 kPa (2bar) and the temperature must not exceed 30°C.

Lower water pressure values may prevent the cleaning system from working properly.



WATER TREATMENT

In order to ensure trouble-free operation of the device, the water should have a hardness of maximum 5°f to prevent lime deposits.

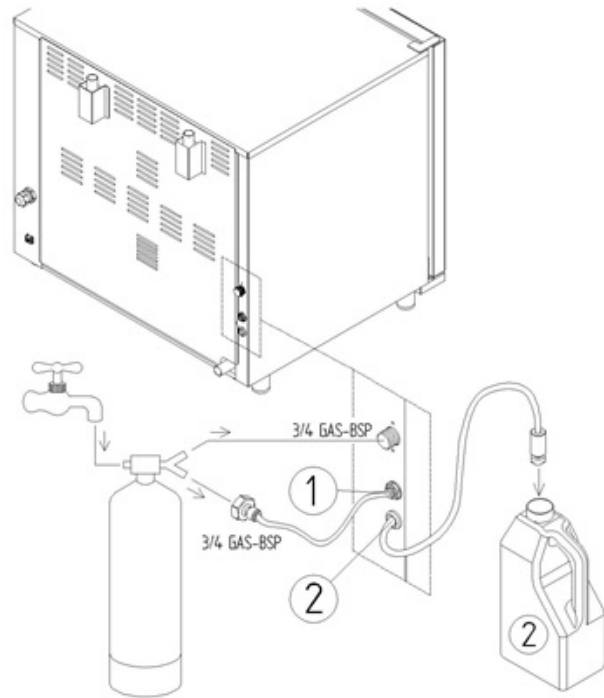
For higher values a water softening station should be installed first.

DETERGENT CONNECTION

Insert the pickup pipe into the detergent tank.

1=WASHING water inlet

2=CLEANING detergent inlet



VII.DRAINAGE CONNECTION

Water flowing out from the oven drainage system may reach high temperatures (90°).

The pipes used for discharging the water must be capable of bearing such temperatures.

The discharge water pipe is located in the lower rear part of the back of the oven and it should be connected using a rigid or flexible pipe and conveyed to an open or trapped drainage; its diameter shall not be smaller than that of the drainage connection of the oven. It is advisable to insert a suitable syphon between the oven and the drain, so as to stop emission of unpleasant odors and fumes from the oven and drains.

Avoid narrowing the flexible pipes and elbow joints on rigid pipes along the entire drainage system meter.

The oven must have its own drainage connection.

If there are other appliance or tools connected to the one pipe, check that their size allows proper drainage without blockage.

The local regulations and standards must be followed.

FUMES DISCHARGE

Hot fumes and odors are emitted from the cooking chamber during cooking.

This is located at the top part of the back of the oven.

Do not place objects on the discharge so as not to hinder the outflow of the fumes and hence avoid causing damage thereto.

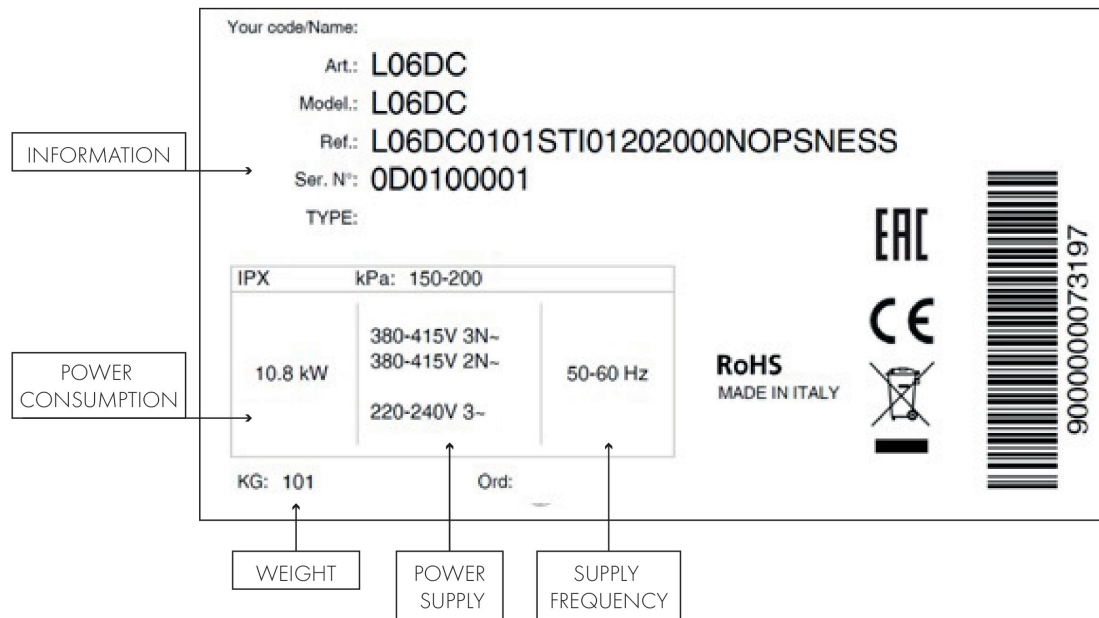
It is advisable to position the oven under a suctioning or ensure adequate ventilation to outside for hot fumes and odors through a pipe no smaller than the oven drainage.

Avoid bends and blockages.

VIII.STACKING OVENS

Stacking several ovens requires the use of the special kit which keeps the correct distance between the two ovens.

IX.INFORMATION PLATE



Art./Model	model according to customer classification
Ref.	model according to internal manufacturer's classification
Ser. N°	identification number, different for each product
TYPE:	product model according to its technical properties
Power consumption	IPX protection level against water sprays / kPa.... inflow water pressure
Power consumption	appliance nominal power kW
Mains supply:	TERMINAL CONNECTION TYPE: device tension in V, number of phases and neutrals (3N = 3phases more neutral).
Supply frequency	appliance frequency in Hz.
Weight	appliance weight

INSTRUCTIONS FOR THE USER

I.WARNING

Carefully read the following booklet as it provides safety and use instructions for the device. Carefully store it for future reference.

Incorrect installation, assistance, maintenance, use, cleaning, tampering with, or modifications can cause malfunctions, damage, and injuries.

That described above can affect the safety of the appliance and may render the warranty null and void.

The appliance has been designed to cook food in closed premises and must only be used for this purpose: any other use must, therefore, be avoided as considered improper and dangerous. The oven must only be used by staff adequately trained for its use.

To avoid the risk of accidents or damages to the appliance, it is also fundamental that staff regularly receive precise instructions regarding safety.

The appliance is not suitable for use by people with low physical or mental abilities or lacking experience, unless instructed regarding the operation of the oven by the personnel in charge of safety their safety.

Do not leave the appliance unattended in presence of children and ensure that the latter do not have access to the appliance.

Do not under any circumstance, leave flammable material near an appliance: it can be a fire hazard.

Food container temperatures, accessories or other objects can be very hot; beware of burns when moving them. Only touch them with relevant thermal protection

Careful while opening the oven door: danger of scalding due to high temperature emissions.

The oven is provided with a safety system which automatically disables the operation of the resistances, fans and vapor supply upon opening the door.

When cooking using core probe, be especially careful while taking out baking trays from the oven: ensure that they are taken out away from cooking food and that they do not block anything.

Do not put flammable or alcohol based foods in the oven as they can cause combustion and explosions.

Avoid putting salt on food inside the cooking chamber of the oven.

If this cannot be avoided, ensure that it is cleaned as soon as possible as it can cause damage to the cooking chamber.

Use fingers to regulate the digital panel options; any other object may damage the oven hence nullify the validity of the warranty

Installation, extraordinary maintenance and repair operations on the equipment must only be carried out by professionally qualified staff.

Caution! The outside parts of the oven can exceed a temperature of 60°C, therefore in order to avoid burning it is advised not to touch the external parts marked by the symbol shown here.



Damage or breakage of door glass components must be substituted immediately (contact the Assistance Centre).

If it is not in use for long periods of time (many days) it is advisable to turn it off at the mains and disconnect it from the water supply.

The producer shall not be deemed liable for any damage incurred by persons or properties, caused by non-compliance with the aforementioned instructions of deriving from tampering with even a single part of the appliance and use of non-genuine spare parts.

This appliance complies with the EU directives in force.

II.USING FOR THE FIRST TIME

Inside there must be no plastic bags, instruction manuals, plastic films and so on.

Ensure that the baking tray holders inside the cooking chamber are well fitted to the walls. Otherwise the baking trays containing food or hot liquids could fall resulting in scalding.

TESTING

The oven should be tested by carrying out a trial cooking session to check that the appliance is working properly and that there are no problems or malfunctioning.

Set the temperature controller at 150° C and the timer to 10 minutes.

Check every item in the list below:

- The coking chamber light is ON.
- The oven stops (heating, humidification, motors/fans) when the door is opened and resumes operating when the door is closed again.
- On reaching the set temperature, the cooking temperature thermostat turns off the heating elements.
- The fans automatically invert the direction of rotation; the inversion occurs every 2 minutes. Humidification turns off briefly for 20 seconds when the machine is stopped.
- The cooking chamber fans spin in the same direction.
- If the oven is equipped with a humidity controller, after using knob to activate it, check that water is being discharged to the fan from the humidity inlet duct in the oven chamber



FIRST CLEANING OF THE COOKING CHAMBER OF THE OVEN

Disconnect electrical power from the appliance and wait until the oven is cooled completely before cleaning.

There should never be any residue of solvents or detergents.

They should be removed by rinsing thoroughly using a damp cloth. Appropriate eye, mouth and hand protection should be used. Possible danger of corrosion.

Heat the oven empty up to 200° C (392° F) for about 30 minutes so as to eliminate thermal insulation odors.

Clean the walls of the cooking chamber using hot water and soap, then rinse; never use aggressive or acid products.

III. ORDINARY MAINTENANCE

The user is solely responsible for ordinary maintenance. The Assistance Centre must be contacted for extraordinary maintenance which requires a specialized authorized technician.

Before cleaning, disconnect the device from the power supply and wait until it is fully cold.

ATTENTION: never clean the device with water jet of pressurized vapour.

ORDINARY CLEANING OF COOKING CHAMBER

At the end of a working day, clean the equipment, both for hygienic reasons and to avoid malfunctioning. The oven must never be cleaned using direct or high pressure water jets. In the same manner, to clean the appliance do not use pan-scrubbers, steel brushes or scrapers; it is possible to use stainless steel wool, rubbing it in the direction of the sheets satin finish.

Wait for the cooking compartment to cool down.

Remove the side tray racks. Manually remove all removable residues place the removable parts inside dishwashers. To clean the cooking compartment, use soapy warm water. Subsequently, all surfaces must be thoroughly rinsed, being careful to ensure no detergent residues remain.

To clean the oven external parts, use a damp cloth and a non-aggressive detergent.

For manual cleaning follow the procedure below:

- Turn on the appliance and set the temperature to 80°C.
- Leave it on for 10 minutes on steam
- Turn off the appliance and let it cool down
- Remove the side tray racks. Manually remove all removable residues place the removable parts inside dishwashers.
- To clean the cooking compartment use soapy warm water.
Subsequently, all surfaces must be thoroughly rinsed, being careful to ensure no detergent residues remain.
- To clean the oven external parts, use a damp cloth and a non-aggressive detergent.
- Clean with hot water and soap then rinse.

It is strictly prohibited to wash the cooking chamber in cooking temperatures higher than 70°C, scalding danger.

Daily cleaning of the oven cooking chamber lining must be carried out with a non-abrasive detergent to guarantee its full function.

Use plastic bristles or a sponge soaked in vinegar and warm water in case of dirt crusts.

Warning: residue fats possibly present in the cooking chamber could catch fire when using the oven, hence it is advisable to remove them quickly.

Only use products recommended by the manufacturer of the appliance.

EXTERNAL CLEANING

Only use a damp cloth with warm water or products suitable for cleaning stainless steel. Do not use acidic products or ammonia.

WARNING: the appliance should never be cleaned with high pressure water sprays.

GLASS INSIDE THE DOOR AND DOOR CLEANING

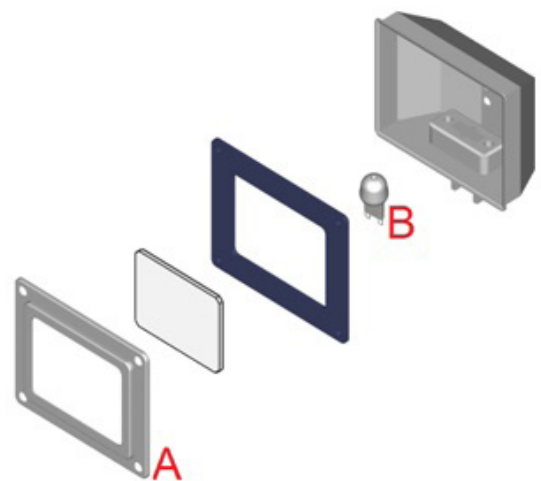
To clean the glass inside the door wait until the oven is completely cool. Simply unscrew the upper and lower screws manually from the side of the handle that secures the steel profile to the internal glass. Then rotate the glass.

The entire door can be cleaned thoroughly at this position, with the glass still hinged to the door.

REPLACING LIGHT LAMPS

WARNING: Strictly adhere to the following procedure in order to avoid electrocution or damage to people:

- Disconnect the electrical connection of the oven and leave it to cool.
- Take off the side grids that hold the baking trays.
- Remove the cover "A", unscrewing the 4 fixing screws.
- Replace the lamp "B" with one having the same characteristics.
- Reposition the cover "A" and fix it with the 4 screws previously removed
- Put the side grids back on ensuring they are well fitted.



Should the glass lid be broken or damaged, do not use the oven until the lid is replaced (Contact the Assistance Centre).

IV.EXTRAORDINARY MAINTENANCE

It is advisable to have the appliance subjected to periodical checks (at least once per year) by a specialized authorized technician.

Any maintenance, installation or repair work must be carried out by qualified authorized personnel by contacting the Assistance Centre. Before carrying out any operation the appliance must be plugged out at the mains, turn off the water mains taps and wait for it to cool down.

Before moving the appliance from position, check that the electricity and water connections (electric cables water pipe and drainage) are correctly plugged out.

If the appliance is on wheels check that electric cables, pipes or anything else are not damaged while moving it. Ensure the break is on. Avoid placing the device near heat (such as fryers etc.)

After carrying out the task and replacing the appliance in its initial position, check that the electric and water are connected correctly.

V.MAINTENANCE IN CASE OF BREAKAGE

If the appliance breaks, disconnect it from the mains and turn off water.

Before ringing Customer Service, check the chart below.

failure	cause	solution
The oven doesn't start	The door is not closed but open	Check that the door is closed.
	Micro switch doesn't indicate closed door	Contact specialized technician for repair (Assistance Service).
The fan stops while the oven is on	Safety thermostat measure motor	Turn off the oven and wait for the motor's thermal protection to reset itself. If the problem persists, call a specialized repair technician (Assistance Service).
	Motor capacitor break	Contact specialized technician for repair (Assistance Service).
Internal light does not work	Loose lamp	Correctly fit the lamp into the lamp holder
	Blown lamp	Replace the lamp (see ordinary maintenance)
There is no water inflow from the humidifier pipes	Water inlet closed	Open water inlet
	Incorrect connection to the water supply system	Check connection to the water supply system
	The water filters are blocked by impurities at the top	Clean the filters

Non-uniform cooking	The fans no long invert the direction of rotation	Contact specialized technician for repair (Assistance Service).
	One of the fans not operating	Contact specialized technician for repair (Assistance Service).
	Failure of one of the resistances	Contact specialized technician for repair (Assistance Service).
The oven is completely OFF	Supply voltage failure	Restore power supply voltage
	Incorrect connection to the power supply network	Check connection to the power supply network
	Safety thermostat measure	Contact specialized technician for repair (Assistance Service).
Water leaking from the gaskets with the door open	Dirty lining	Clean the lining with a damp cloth
	Damaged gasket	Contact specialized technician for repair (Assistance Service).
	Problem regarding the closure of the door	Contact specialized technician for repair (Assistance Service).

If the problem persists we advise you to consult a retailer or manufacturer asking for Assistance Service specifying the problem and supplying the code (Art.) and appliance Ser N°. This information is provided on the INFORMATION PLATE on the side of the machine.

SPARE PARTS

Use only authorized parts for product repair. All interventions shall be carried out by authorized and specialized technical personnel. Contact the Assistance Centre to request spare parts.

VI. COOKING ADVICE

Where the grill is used to cook fatty food such as roasts or poultry it is advisable to insert a container on the bottom of the cooking chamber to collect the fat during cooking.

While cooking food with full containers or filled with liquids, ensure they do not spill, both during and after cooking on taking them out of the oven. Scalding danger!

When ovens are placed on leavening cabinets, stainless steel tables or other ovens, it is not advisable to use shelves so high



that the inside of the oven is not at eye level. Scalding danger!

Always clean accessories before use.

To cook food perfectly and uniformly it is not advised to use deep baking trays because they would prevent the correct air circulation.

There must be a space of at least 2cm between the top tray and food.

To cook uniformly do not overload the oven and make sure baked goods or bread face the right direction toward airflow in the cooking chamber.

Correct use of core probe: insert in the thickest part of the food from top to bottom until the center is reached with the core probe.

To counteract the loss of heat through opening the door to put food in the oven, it is advised to preheat to at least 30 °C higher than the desired cooking temperature.

In case of interventions on the food, leave the door open for the least time possible, so as to prevent the temperature within the oven from dropping to a point of jeopardizing successful cooking.

WARNING: it is advisable to open the door twice: keep the door ajar (3-4 cm) for 4-5'', then open completely. This is to prevent heat and steam causing annoyance or burns.

DEFROST

The oven can be used for accelerating the defrosting process for foods to be cooked, by using forced air at ambient temperature or at lower temperature (depending on the size of the product to be defrosted). This guarantees quick thawing of frozen products without altering their taste and aspect.

STEAM

The humidification system is recommended for more delicate cooking of all types of foods.

Furthermore, it is recommended quick defrosting, warming food products without dehydrating or hardening them and for naturally desalting foods preserved by salting.

The combination of the steaming function with the conventional ones allows flexibility of use and saving energy and time, simultaneously maintaining the nutritious and taste qualities of the food unaltered. an ideal cooking system for all types of food. The water – injected on the fan – is atomized and passes through the resistance turning into vapor.

WARNING: Satisfactory operation of the moisturizing function requires that the temperature of the thermostat be set at least at 80--100°C.

Steam is rarely produced at lower temperatures and the majority of the water falls to the bottom of the oven.

Furthermore, good vapor cooking required preheating the oven to the desired temperature before activating the vapor supply.

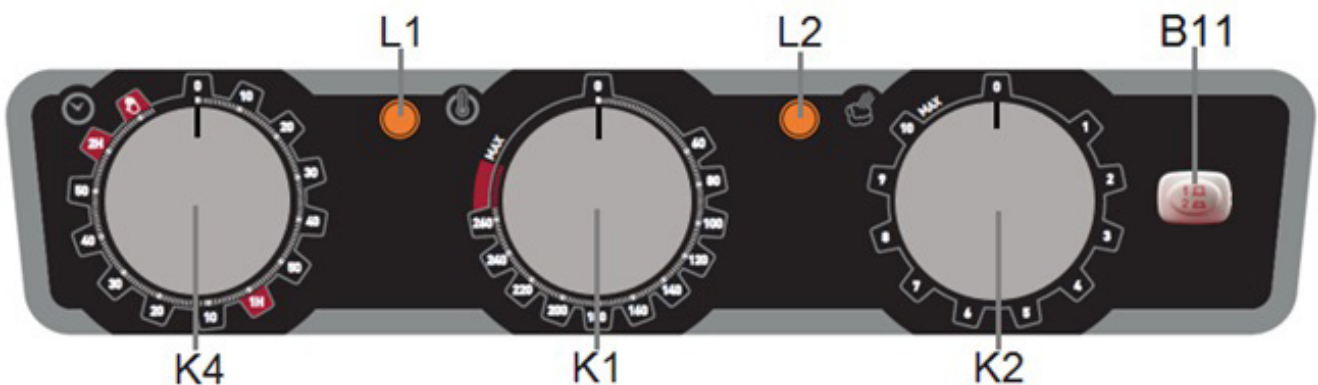
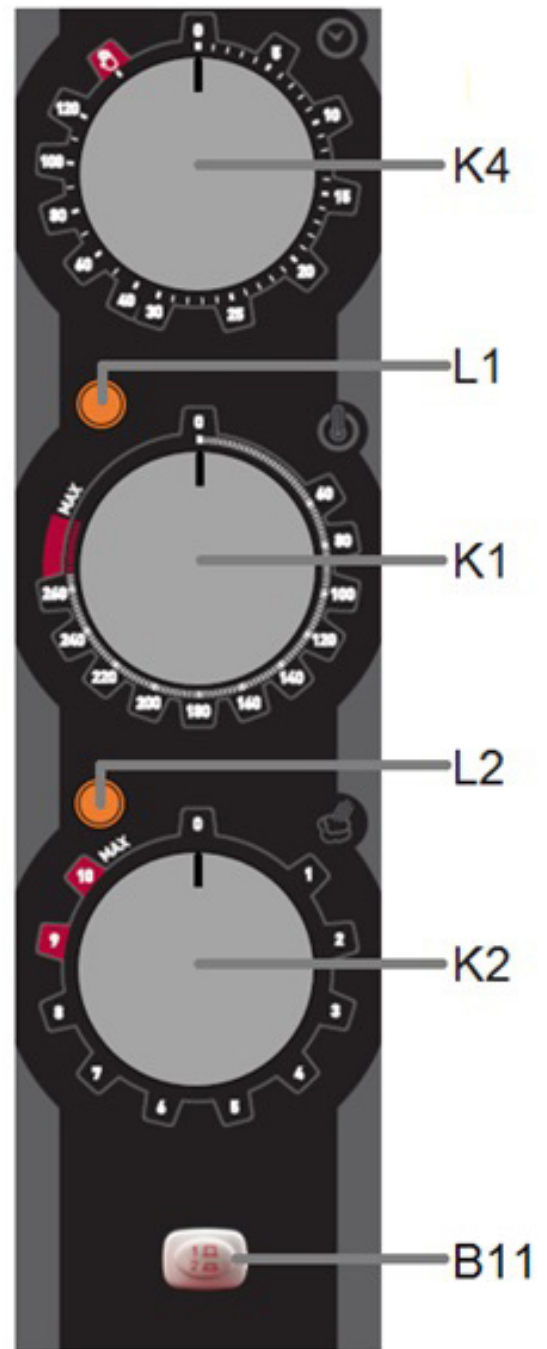
PREHEATING

To avoid the effects of heat loss when the oven door is opened to place food inside it is advised to preheat to at least 30 °C higher than the desired cooking temperature.

VII.MECHANICAL OVEN CONTROL PANEL

K1	THERMOSTAT KNOB
K2	STEAM KNOB
K4	TIMER KNOB
L1	THERMOSTAT LIGHT
L2	HUMIDIFICATION LIGHT
B11	SPEED REGULATION*

**Available only for models with two and more oven fan's speeds*



TIMER KNOB

When manual is selected, the oven stays on until someone turns it off.

When a certain value is selected, the oven stays on for that time (120 minutes maximum).

THERMOSTAT KNOB

This knob allows selecting the desired cooking temperature.

THERMOSTAT LIGHT

This light is on when the oven heating elements are on therefore the temperature in the cooking chamber is less than that set by the thermostat dial. When the light goes off it means that the heat is off and that the cooking chamber has reached the set temperature.

STEAM KNOB

This knob allows activating the moisturizing function and it can be regulated from minimum to maximum in the clockwise direction.

WARNING: Satisfactory operation of the moisturizing function requires that the temperature of the thermostat be set at least at 80-100°C.

Steam is not produced at low temperatures in the oven and the majority of water in the oven flows into the drain.

Furthermore, good vapor cooking required preheating the oven to the desired temperature before activating the vapor supply.

HUMIDIFICATION LIGHT

When it is on it means that water is flowing into the cooking chamber to produce steam. This takes place irrespective of temperature (the operator must check that the temperature is high enough to cook effectively).

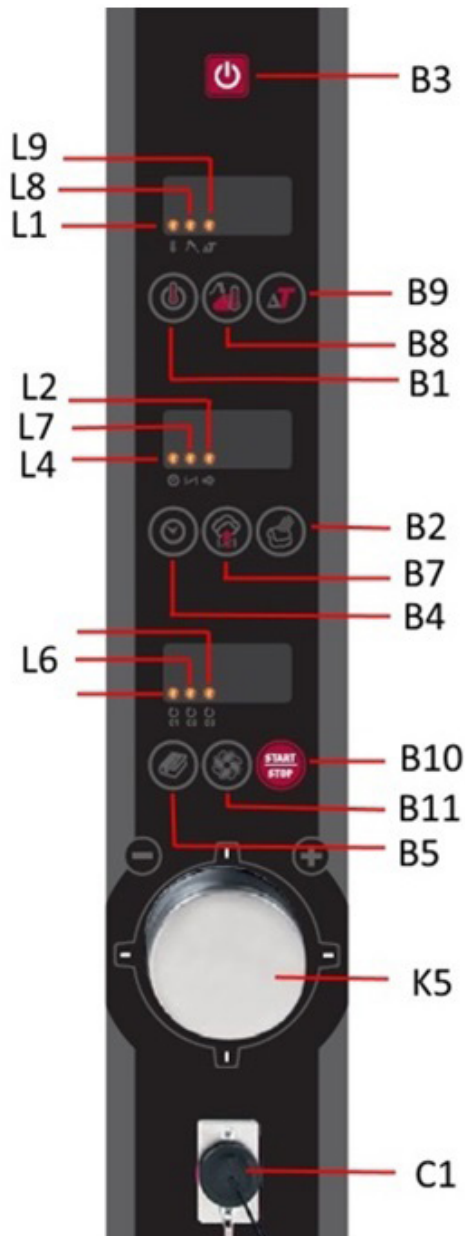
SPEED ADJUSTMENT

The oven fan/motor has two speed levels. Press the button and enter the speed required:

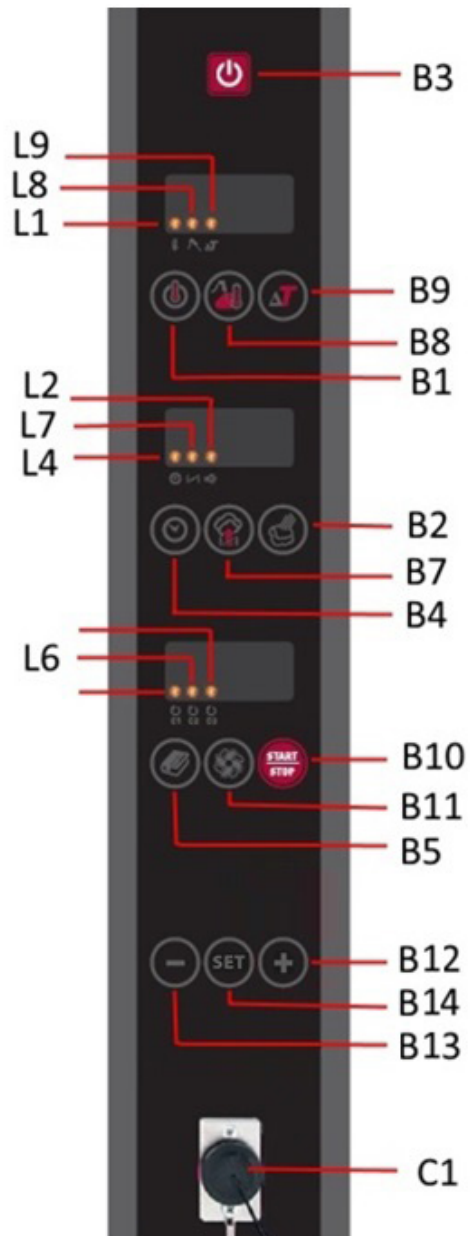
- 1 means that the motor is at its maximum speed. Used for most cooking methods.
- 2 means that the motor is at its minimum speed. Used specially to cook delicate dishes, such as pastries.

VIII.DIGITAL OVEN CONTROL

PANEL WITH ENCODER

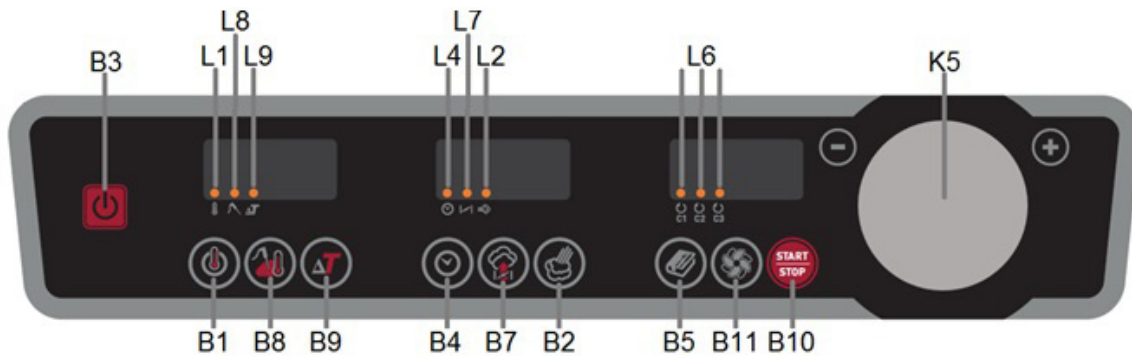


PANEL WITH BUTTONS

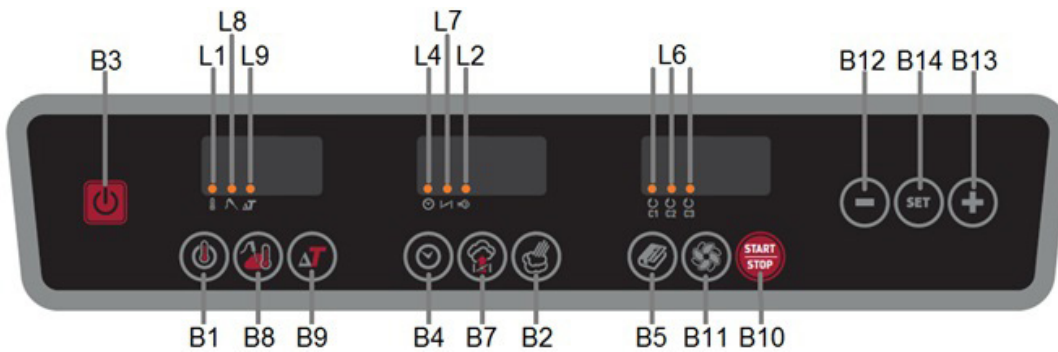


K5	Encoder for regulation "+ / -"	B4	Timer selection
L1	Thermostat light	B5	Cooking programs
L1	Humidification Light	B7	Chimney exhaust selector
L4	Timer led	B8	Core probe selector
L6	Cooking cycle led	B9	DELTA T selector
L7	Chimney exhaust led	B10	START / STOP cooking
L8	Core probe led	B11	Speed regulation*
L9	DELTA T led	C1	Core probe inlet
B1	Temperature selector	B12	Increase value
B2	Steam selector	B13	Decrease value
B3	ON /OFF button	B14	Confirm value

PANEL WITH ENCODER



PANEL WITH BUTTONS



K5	Encoder for regulation "+ / -"	B4	Timer selection
L1	Thermostat light	B5	Cooking programs
L1	Humidification Light	B7	Chimney exhaust selector
L4	Timer led	B8	Core probe selector
L6	Cooking cycle led	B9	DELTA T selector
L7	Chimney exhaust led	B10	START / STOP cooking
*L8	Core probe led	B11	Speed regulation *
L9	DELTA T led	B12	Increase value
B1	Temperature selector	B13	Decrease value
B2	Steam selector	B14	Confirm value
B3	ON /OFF button		

**Available only for models with two and more oven fan's speeds*

ON/OFF button

When power is supplied to the oven the control panel lights up and the operating display indicates off. Activating the control panel requires pressing the on/off.

TEMPERATURE SELECTOR – for panel with encoder

Press Temperature button, set the temperature value by acting on the encoder knob. It rotates clockwise and anticlockwise, thus it increases or reduces the temperature which appears

on the temperature display and press the knob for confirmation. The oven will show always the real temperature inside the cooking chamber. To see what temperature was confirmed press the temperature button.

TEMPERATURE SELECTOR – for panel with buttons

Press «temperature» key and use keys «+» and «-» to set the desired temperature value.

At the end of the programming stage, press the «SET» button to confirm.

During operation, the oven will display the value of the actual temperature inside the cooking chamber.

To display the set temperature value, press the «temperature» key.

CORE PROBE – for panel with encoder

For cooking with core probe you need to fit the under position, press the core probe button and set the temperature value by acting on the encoder knob + press for confirmation.

The oven turns off when the inserted core probe registers the food temperature requested.

CORE PROBE – for panel with buttons

To cook with the core probe, insert it into the lower part of the control panel.

Remove the cap, press the core probe button and set the temperature value with keys «+» and «-». Press the "SET" button to confirm.

Cooking stops when the probe inserted into the food detects the requested food temperature.

DELTA T – for panel with encoder

For Delta T cooking, press the "Delta T" button and:

- 1) set the temperature value of core probe by acting on the encoder knob + press for confirmation
- 2) set the Delta T temperature value (difference you want from core probe and cooking chamber) by acting on the encoder knob + press for confirmation

Remember that you need to fit the core probe at the oven before starting this selection

DELTA T – for panel with buttons

For Delta T cooking, press the "Delta T" button and:

- 1) Set the temperature value of the core probe by using keys «+» and «-». Press the "SET" button to confirm.
- 2) Set the Delta T temperature value (temperature difference between the core probe and cooking chamber) using keys «+» and «-». Press the "SET" button to confirm. Insert the core probe in the designated oven slot before starting this operation.

Remember that you need to fit the core probe at the oven before starting this selection

CHIMNEY EXHAUST SELECTOR

Press the "exhaust button" and set "open status" or "close status".

When the "exhaust light" is ON the chimney is open, when the "exhaust light" is OFF, the chimney is closed.

STEAM REGULATION – for panel with encoder

Press the steam button and set the percentage of steam acting on the encoder knob + press for confirmation. You can set from 0 – 10 and the below table will indicate the percentage:

STEAM REGULATION – for panel with buttons

Press the «steam» key and set the desired steam percentage using keys «+» and «-». Press the "SET" button to confirm. It is possible to set 0 to 10, and the table below shows the percentage values:

Value	Steam Percentage	Value	Steam Percentage
0	0%	6	60%
1	10%	7	70%
2	20%	8	80%
3	30%	9	90%
4	40%	10	100%
5	50%		

MANUAL HUMIDIFICATION

If you press the steam button this allows introducing steam as long as it remains pressed

COOKING PROGRAMS STORAGE – for panel with encoder

1) Loading a storage cooking program: If you want to use memorized program press the cooking program button and acting on the encoder you can select the program number desired + press the encoder for confirmation and oven will start operating.

2) Load New program: If you want to memorize new program press the cooking program button and acting on the encoder you must reach the first number that is flashing + press confirmation.

Now you can start to input all information for the first phase (temperature, time, steam, etc.) and you will see the light on the led n. 1 + press the cooking program button and you will skip to second phase (see the led on n. 2 position). Introduce all information for the second phase (temperature, time, steam, etc.) + press the cooking program button and you will skip to third phase (see the led on n. 3 position). Introduce all information for the third phase (temperature, time, steam, etc.) + press the cooking program button and you will skip to fourth phase (see all 3 led lighting). Introduce all information for the fourth phase (temperature, time, steam, etc.) + press the cooking program button for 5 seconds until will appear MEM (means that program was memorized).

In case the cooking process as only 1 or 2 phase when you finished to set the information (temperature, time, steam, etc.) + press the cooking program button for 5 seconds until will appear MEM (means that program was memorized).

COOKING PROGRAMS STORAGE – for panel with buttons

1) Program to load a cooking method already saved: if you want to use the saved program, press the «cooking program» key and use keys «+» and «-» to select the desired program number. Press the “SET” key to confirm.

Press the «START/STOP» key to start the set program.

2) New cooking program: if you want to save the new program, press the “cooking program” button and use keys «+» and «-» to go to the first number that flashes. Press the “SET” key to confirm.

Now you can start to enter all the information for the first phase (temperature, time, steam, etc.) and the light of LED 1 will turn on.

Press the «programs» key to go to the second phase (see the LED on position no. 2). Enter all the information for the second phase (temperature, time, steam, etc.) and press the «programs» key to proceed to the third stage (see the LED in position no.3).

Enter all the information for the third phase (temperature, time, steam, etc.) and press the «programs» key to go to the fourth phase (see all 3 LEDs).

Enter all the information for the fourth phase (temperature, time, steam, etc.) and press the «programs» key for 5 seconds until the display shows MEM (which means that the program has been saved).

If the cooking process only involves 1 or 2 phases, when you have finished with the settings (temperature, time, steam, etc.), press the “program” button for 5 seconds until the display shows MEM (which means that the program has been saved).

DELETING A PHASE OR PROGRAM – for panel with encoder

1. If you wish to delete a phase from a program, you must: press the cooking Programs button and, using the encoder, select the program number desired. Confirm by pressing the encoder. Then press the Programs button until the desired phase has been selected. Then press and hold the TIME button for more than 5 seconds.

2.If you wish to delete a program, you must: first delete all the phases (as described in point 1). Then press the Program button for 5 seconds until MEM (it means that the program has been memorized with the phases deleted) appears on the display.

DELETING A PHASE OR PROGRAM – for panel with buttons

1. If you want to delete a phase from a program: press the «cooking program» key and use the «+» and «-» buttons to select the desired program number. Press the “SET” key to confirm. Then press “cooking program” until the desired phase has been selected. Then press and hold the “TIME” button for more than 5 seconds.

2. If you wish to delete a program, you must: first delete all the phases (as described in point 1). Then press the Program button for 5 seconds until MEM (it means that the program has been memorized with the phases deleted) appears on the display.

RETURN TO MANUAL COOKING MODE – for panel with encoder

To exit the program function and return to the MANUAL cooking mode, hold the ENCODER knob down until the word «MAN» appears on the display.

RETURN TO MANUAL COOKING MODE – for panel with buttons

To exit the program function and return to the MANUAL cooking mode, hold the “SET” key down until the word «MAN» appears on the display.

PRE-HEATING – for panel with encoder

This function is used to compensate the loss of heat that occurs upon opening the oven and upon the introduction of food products there in. To activate pre-heating press the cooking program button and acting on the encoder go to first program number that is flashing + press for confirmation. Now we are on first phase so press the timer button and acting on encoder go to “infin” (this means that the oven will run without specific timing) + press encoder for confirmation. Now you can introduce the other phase as indicated previously and at end memorize. The oven will start to pre-heat the cooking chamber until reached 20% above the cooking temperature set and after you will hear beep sound. The signal is interrupted by opening the door (to introduce the food products into the oven), thus the stage preset by the program starts. The signal can be stopped without enabling the stage or disabling preheating simply by pressing the START/STOP button.

PRE-HEATING – for panel with buttons

This function is used to compensate for the heat loss that occurs after opening the oven door and

the introduction of food.

To activate the preheating of the oven, press the RECIPE BOOK key and, on the first phase, (with LED no.1 on), use the «-» button until «INF» (infinite time) appears on the display.

Press the "SET" key to confirm. You can now enter the other cooking phases. When START/STOP is pressed, the oven will begin to preheat the cooking chamber until it reaches a temperature 20% higher than the set temperature, which will beep.

The signal is interrupted by opening the door to introduce the food in the oven. When the door is closed, the program pre-set phase will start.

The signal can be stopped without turning the preheating feature on and off by simply pressing the START/STOP button.

SPEED REGULATION

The oven has two different speeds of the fan / motor:

1) Min: it means that the engine is at minimum speed and is used especially for delicate dishes such as pastry

2) Max: means that the engine is at full speed and is used in most kinds of cooking.

To adjust the fan speed, press the speed button to enter the desired «Min» or «Max» that you will see on the display

START/STOP

This button starts/stops a previously set program or cooking program.

ENCODER

The encoder knob rotates clockwise and anticlockwise; thus it increases or reduces the figure indicated on display. Remember to press the encoder for confirmation also the figure will continue to flash.

CORE PROBE SECTION

Section where to introduce the core probe. The cooking time cannot be set given that cooking will end upon reaching the set inner temperature controlled by the probe.

AUTOMATIC COOLING COOKING CHAMBER – for panel with encoder

To reduce automatically the cooking chamber temperature press temperature button, acting on the encoder reduce the temperature until desired, open the door and press the encoder for confirmation. The oven will immediately reduce the temperature.

AUTOMATIC COOLING COOKING CHAMBER – for panel with buttons

To automatically reduce the oven temperature, just press the temperature button and set the desired temperature by using the «+» and «-» keys. Then confirm by pressing the «SET» button. The oven will automatically activate the fans and start cooling the oven. This feature also works with the door open and this reduces the temperature very quickly.

AUTOMATIC CLEANING – for panel with encoder

The cleaning system is fully automatic: just select the required program.

With the control panel in the OFF mode, press the ENCODER knob.

The display will show CLN_01. Turn the ENCODER knob until the required function appears.

Press the ENCODER knob again and start the program.

CLN_01: SHORT cleaning cycle (45 minutes).

CLN_02: MEDIUM cleaning cycle (56 minutes).

CLN_03: LONG cleaning cycle (65 minutes).

CHr___: detergent pump refill (3 minutes).

The detergent pump refill with the CHr program must be carried out in the following cases:

- upon first start up after installation.
- every time the detergent in the container runs out.
- after a long period of non-use.

AUTOMATIC CLEANING – for panel with buttons

The cleaning system is fully automatic: just select the desired program.

With the control panel in the OFF mode, press the "SET" key.

The display will show CLN_01. Press "+" and "-" until the required function appears. Press the "SET" key again and start the program.

CLN_01: SHORT cleaning cycle (45 minutes).

CLN_02: MEDIUM cleaning cycle (56 minutes).

CLN_03: LONG cleaning cycle (65 minutes).

CHr: detergent pump refill (3 minutes).

The detergent pump refill with the CHr program must be carried out in the following cases:

- At the first start up after installation.
- Every time the detergent in the container runs out.
- After a long period of non-use.

IMPORTANT

ATTENTION: to guarantee the cleaning system's perfect operation, make sure that the temperature of the cooking chamber is between 90 °C and 140 °C before starting a cleaning program (CLN_01, CLN_02, CLN_03). Higher temperatures are not recommended.

The equipment is intended to clean professional ovens. Any use other than that indicated must be avoided, as this will be considered improper use and, therefore, dangerous.

Before starting a cleaning cycle, make sure that the water drain on the bottom of the cooking chamber is clear, to prevent flooding the chamber.

Never open the cooking chamber when a cleaning cycle is in progress. Chemical substances and hot fumes may escape causing burns and corrosion.

At the end of every cleaning cycle, make sure that no detergent residue is left in the cooking chamber. Remove any residue from the cooking chamber and rinse manually.

We recommend using the detergent approved by the manufacturer.

The use of a non-approved detergent may damage the cleaning system and may affect the integrity of the cooking chamber, rendering the warranty null and void.

WARNINGS AND ALARMS

All alarms are indicated by a buzzer. The buzzer can be silenced by pressing a key.

Er1 CHAMBER PROBE ALARM:

This is triggered if the chamber probe fails. Everything is deactivated except for the light. The cycle in progress is interrupted.

Er2 CORE PROBE ALARM

This is triggered if the core probe in the food being cooked fails (where used). Everything is deactivated except for the light. The cycle in progress is interrupted.

ALL MOTOR ALARM

This is triggered if the motor overheats. Everything is deactivated except for the light. The cycle in progress is interrupted.

Once the alarm is silenced, press the ON/OFF button for one second to reset the alarm (the control panel is set to OFF).

H-t CONTROL BOARD TEMPERATURE ALARM

This is triggered if the control board overheats. The cycle in progress is interrupted. Once the alarm is silenced, press the ON/OFF button for one second to reset the alarm (the control panel is set to OFF).

The manufacturer reserves the right to modify and make improvements to the products without giving prior warning.

СОДЕРЖАНИЕ:

СТРАНИЦА

ИНСТРУКЦИИ ПО УСТАНОВКЕ	31
I.ЗАМЕЧАНИЯ И ТЕХНИКА БЕЗОПАСНОСТИ	31
II.ПРЕДВАРИТЕЛЬНЫЕ ДЕЙСТВИЯ	31
III.УЧАСТОК УСТАНОВКИ	31
IV.ПОДГОТОВКА К УСТАНОВКЕ	32
V.ПОДКЛЮЧЕНИЕ ЭЛЕКТРИЧЕСТВА	33
VI.ПОДКЛЮЧЕНИЕ ВОДЫ	37
VII.ПОДКЛЮЧЕНИЕ СЛИВА	39
VIII.ШТАБЕЛИРОВАНИЕ ПЕЧЕЙ	39
IX.ИНФОРМАЦИОННАЯ ТАБЛИЧКА	39

ИНСТРУКЦИИ ПО ЭКСПЛУАТАЦИИ

I.ПРЕДУПРЕЖДЕНИЕ	40
II.ИСПЫТАНИЯ	42
III.ШТАТНОЕ ТЕХНИЧЕСКОЕ ОБСЛУЖИВАНИЕ	42
IV.ВНЕОЧЕРЕДНОЕ ТЕХНИЧЕСКОЕ ОБСЛУЖИВАНИЕ	44
V.РЕМОНТ ПРИ ПОЛОМКЕ	45
VI.РЕКОМЕНДАЦИИ ПРИ ПРИГОТОВЛЕНИИ	46
VII.МЕХАНИЧЕСКАЯ ПАНЕЛЬ УПРАВЛЕНИЯ	48
VIII.ЦИФРОВАЯ ПАНЕЛЬ УПРАВЛЕНИЯ ПЕЧИ	50

ВВЕДЕНИЕ

Уважаемый клиент! Поздравляем Вас с приобретением печи! Мы благодарим Вас и надеемся, что это станет началом приятного и долговременного сотрудничества.

В инструкции содержится вся информация, необходимая для правильной эксплуатации, технического обслуживания и установки устройства. Инструкция предназначена для операторов печи и технических специалистов; в ней представлены все необходимые рекомендации по безопасной и эффективной эксплуатации устройства, обеспечивающей долгий срок службы.

Эта брошюра должна храниться в защищенном месте в течение всего срока службы оборудования на случай, если пользователям или техническим специалистам понадобится свериться с инструкциями.

При утере или повреждении технической документации следует запросить новый экземпляр у производителя или продавца оборудования.

Производитель не несет ответственности за ущерб, нанесенный людям или имуществу вследствие ненадлежащего использования оборудования, модификаций или ремонта, проведенных неавторизованным персоналом или с использованием запасных частей, не рекомендованных производителем и не предназначенных для использования с данной моделью.

Данное устройство соответствует действующим директивам ЕЕС.

УСТАНОВКА

I. ОБЩИЕ ЗАМЕЧАНИЯ И ТЕХНИКА БЕЗОПАСНОСТИ

Рекомендуется внимательно прочитать инструкции перед установкой и запуском оборудования.

Все действия по установке, монтажу, техническому обслуживанию и ремонту должны выполняться квалифицированным персоналом, получившим необходимые полномочия (от производителя или продавца), в соответствии с законодательством по технике безопасности труда, действующем в месте установки оборудования.

Неправильная установка, несоответствующее техническое обслуживание, неэффективная чистка, несанкционированное вмешательство в работу оборудования могут привести к неисправностям, повреждениям или поломкам.

Оборудование может использоваться только для приготовления или разогрева пищи на промышленных кухнях. Другое использование является ненадлежащим и опасным.

II. ПРЕДВАРИТЕЛЬНЫЕ ДЕЙСТВИЯ

После снятия упаковки необходимо убедиться в том, что печь не имеет признаков повреждения после транспортировки. Запрещается устанавливать и вводить в эксплуатацию поврежденное оборудование; при наличии сомнений, необходимо немедленно связаться с отделом послепродажного обслуживания производителя или с дилером (продавцом оборудования).

При наличии повреждений или отсутствии каких-либо частей, следует немедленно проинформировать перевозчика и продавца/производителя, указав код (Артикул) и серийный номер (серийный N°), а также приложив фотографию.

Участок для установки печи не должен быть загроможден, двери, проходы и коридоры должны быть свободны.

III. УЧАСТОК ДЛЯ УСТАНОВКИ

Следует устанавливать оборудование в закрытом и хорошо проветриваемом помещении (установка оборудования снаружи запрещена).

Температура места установки печи должна быть выше +4° С.

Перед установкой устройства на месте следует проверить его общие габаритные размеры и точное расположение всех электрических подключений, сливов воды и отверстий для выпуска пара. Рекомендуется поместить печь под вытяжкой или таким образом, чтобы пары и запахи выходили из печи через соответствующее вентиляционное отверстие за пределы помещения (на улицу).

Следует устанавливать печь только на плоскую и ровную поверхность, чтобы она не могла перевернуться или опрокинуться. Участок установки должен выдерживать вес устройства с максимальной загрузкой. Вес-брутто печи указан на ее задней панели.

Дверцы установленной печи должны полностью и свободно открываться.

Задняя панель печи должна быть легкодоступна для технического обслуживания, подключения к главным разъемам, отверстиям для подключения воды.

Устройство не предназначено для встраивания, поэтому между ним и другими предметами следует оставить свободное пространство в 5 см.

Не устанавливайте около печи другие источники тепла, как, например, жарочные поверхности или плиты. Если это невозможно, по меньшей мере, следует соблюдать следующие расстояния между устройствами: 50 см по бокам от печи и 70 см сзади.

Не устанавливайте оборудование вблизи легковоспламеняющихся материалов или контейнеров с воспламеняющимися жидкостями (стены, мебель, экраны, канистры с газом), так как это пожароопасно. Если это невозможно, следует прикрыть воспламеняющиеся части огнеупорными и жаропрочными материалами, а также соблюдать нормы пожарной безопасности.

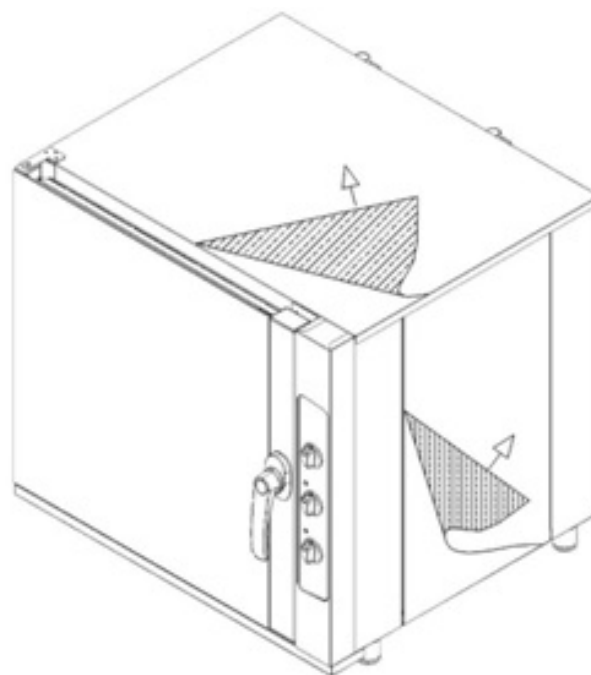
IV. ПОДГОТОВКА К УСТАНОВКЕ

Следует снять внешнюю упаковку с изделия (деревянный ящик и/или картонную коробку) и утилизировать ее в соответствии с законодательством страны установки оборудования.

УДАЛЕНИЕ ЗАЩИТНОЙ ПЛЕНКИ

Вся упаковка должна быть полностью удалена, в том числе защитная пленка, находящаяся на внутренних и внешних стенах печи.

Удалите всю информацию, охватывающую с внутренней стороны, и снять все пластиковые упаковки



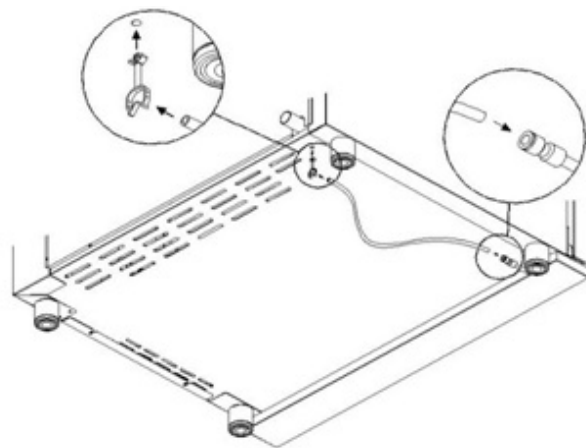
УСТАНОВКА ПОДСТАВКИ

Не использовать устройство без ножек
Регулируемые ножки уже прикручены к нижней стороне печи.

Если они не используются, не происходит циркуляции воздуха у охлаждаемых электрических частей и внешних панелей печи, что ведет к перегреву и повреждению компонентов печи. Печь будет функционировать корректно, если она выровнена (при помощи спиртового уровня) на ровной и плоской поверхности, и ее расположение по высоте отрегулировано при помощи регулируемых ножек.

ПРИСОЕДИНЕНИЕ СЛИВА КАПЛЕСБОРНИКА

Провести белую трубку для воды, находящуюся внутри упаковки, через пластиковый зажим. Трубка должна быть прочно закреплена так, чтобы вода вытекала из каплесборника на слив (см. рис.).



V. ПОДКЛЮЧЕНИЕ ЭЛЕКТРИЧЕСТВА

ВНИМАНИЕ: Подключение к сети электроснабжения должно выполняться квалифицированным и уполномоченным техническим специалистом в соответствии с местными, государственными и международными стандартами, действующими в стране установки. Перед подключением к сети электроснабжения, следует удостовериться, что частота (...Hz) и напряжение (...V) соответствуют требованиям, указанным на шильде на задней панели устройства.

Система электроснабжения, в соответствии с предписаниями действующих стандартов, должна быть оборудована эффективным заземлением. Безопасность электросети может быть обеспечена только при наличии стандартной электросистемы.

Для прямого подключения к сети электроснабжения между печью и сетью электроснабжения следует установить рубильник, обеспечивающий разъединение сети, согласно нагрузке. Зазор контактов должен обеспечивать полное отключение при перенапряжении третьей категории, в соответствии с нормами установки.

Рубильник всегда должен быть легкодоступен для оператора.

ПОДКЛЮЧЕНИЕ КАБЕЛЯ

Ослабьте винты крепления задней панели духовки и удалите его. Подключать печь к сети разрешается только при помощи резинового кабеля, например, H07RN-F.

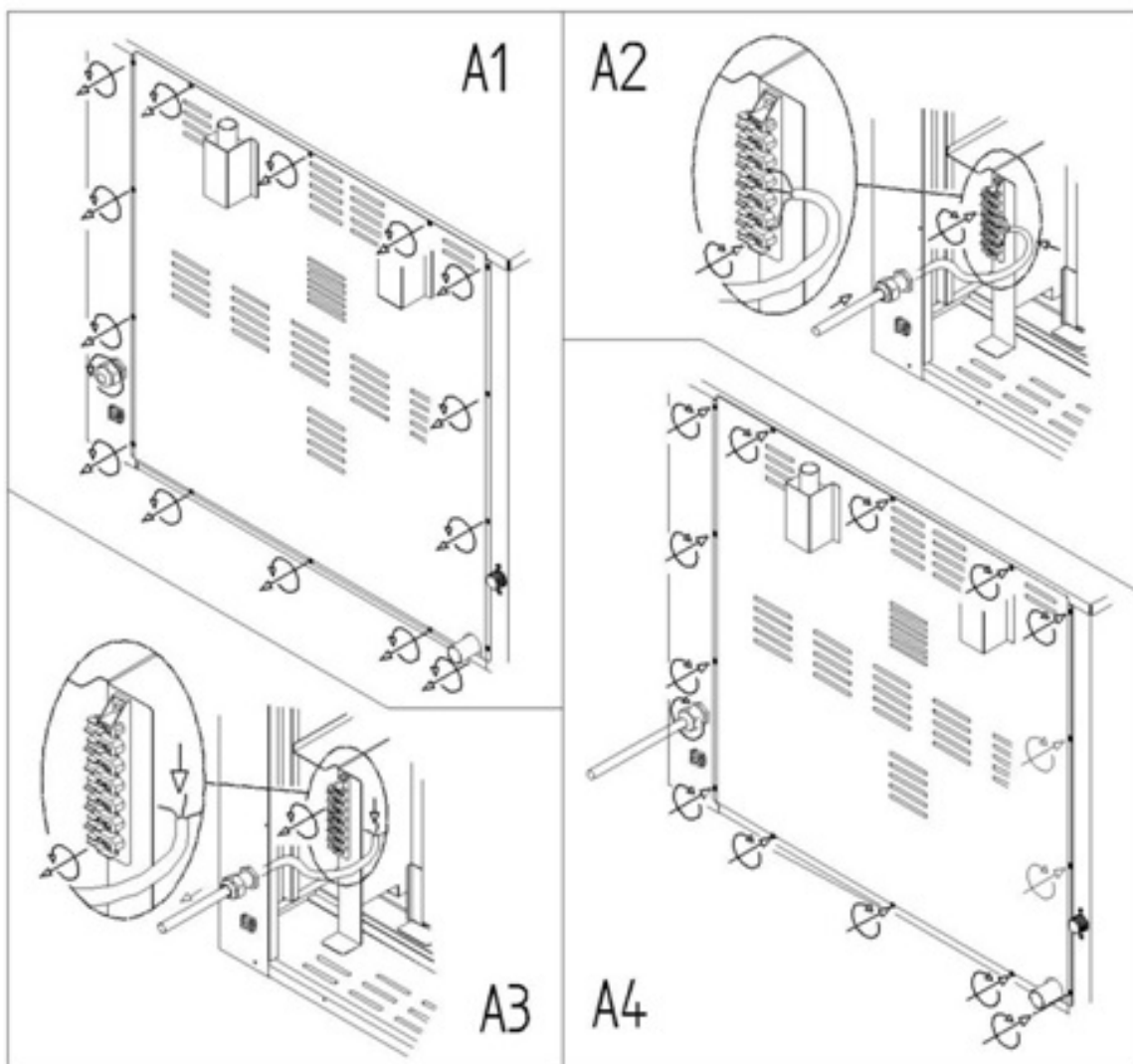
ВНИМАНИЕ: желтый/зеленый провода под напряжением в кабеле заземления должны быть на 3 см длиннее остальных проводов.

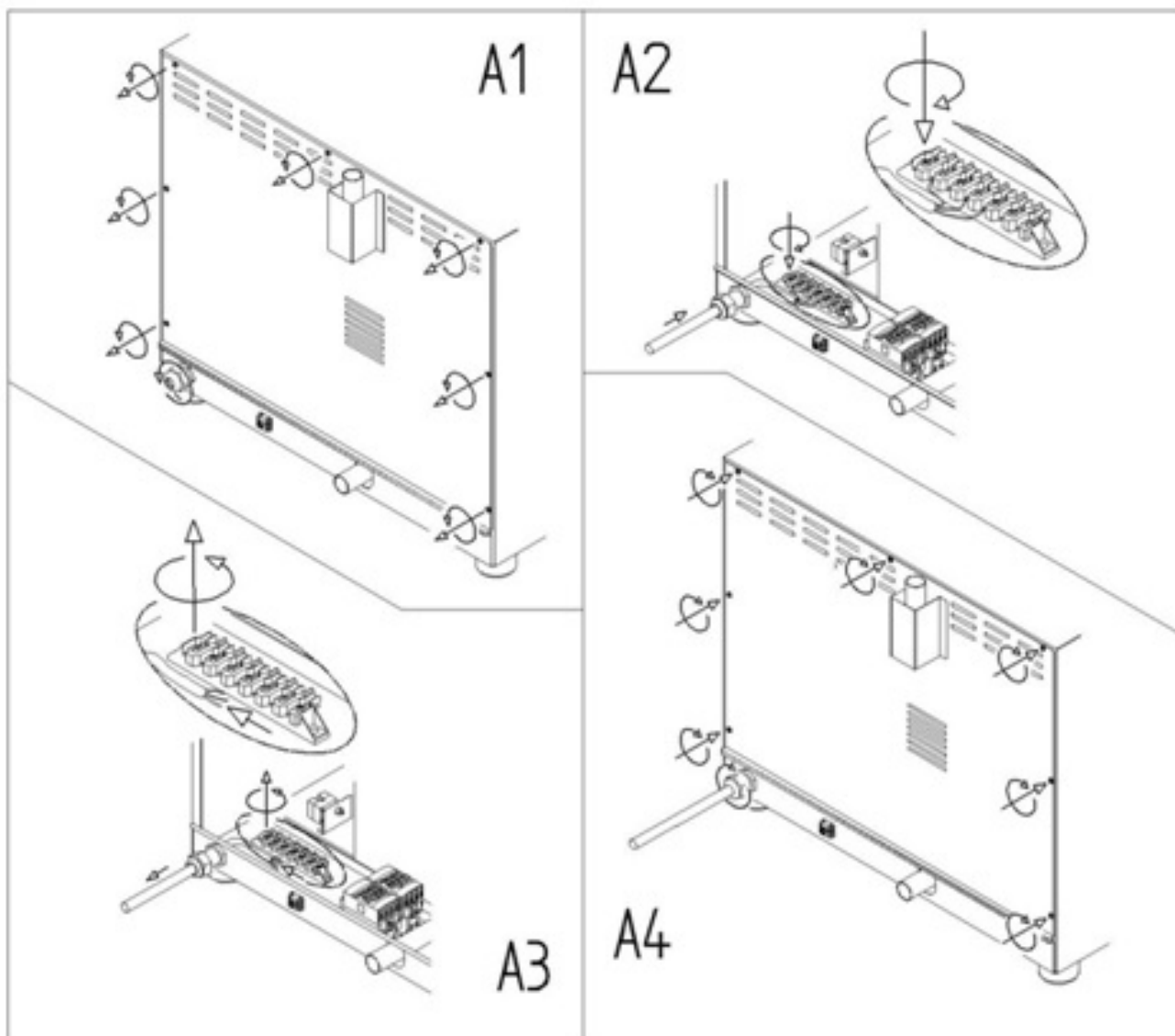


Устройство имеет колодку с зажимами (см.рис.). Для подключения к сети электроснабжения, смотреть рисунки ниже, а также наклейку в нижней части задней панели устройства рядом с информационной табличкой.

Для присоединения электрического провода к колодке с зажимами:

- (A1) Ослабить наконечники кабельной муфты и вскрыть нижнюю часть печи, ослабив болты.
- (A2) Провести кабель через кабельную муфту.
- (A3) Присоединить кабель с напряжением к колодке с зажимами, согласно схеме на шильде на задней панели устройства.
Подключать, строго следуя указаниям, вставить медный мост и электрический кабель вместе под болтами, в сторону закрутки, так, чтобы кабель и мост крепко зафиксировались при затягивании болта.
Тип кабеля, который должен быть использован (HO7RN-F), указан на шильде для каждого подключения, а также сечение проводов напряжения в мм.
- (A4) Вернуть на место нижнюю часть задней стороны печи, затянуть болты и зафиксировать кабель, затянув наконечник кабельной муфты.





Неправильное подключение может привести к перегреву клеммной колодки, к взрыву либо поражению электрическим током.

Все соединения должны быть туго затянуты перед подключением электричества.

PE = желтый/зеленый: Защитный проводник заземления.

N = Синий: нейтральный проводник.

L1, L2, L3 = Коричневый, серый, черный: провода под напряжением.

Убедиться, что между проводами под напряжением и проводом заземления нет статического напряжения. Проверить электропроводимость концевых выключателей внешнего кожуха и провода заземления сети электроснабжения. Рекомендуется использовать мультитестер для проведения подобных действий.

ЗАМЕНА КАБЕЛЯ

Замена кабеля должна проводиться квалифицированным уполномоченным техническим специалистом. Провод заземления всегда должен быть желто-зеленого цвета.

ВНИМАНИЕ: желтые/зеленые провода под напряжением в кабеле заземления должны быть на 3 см длиннее остальных проводов.

Для присоединения провода электропитания:

- (A1) Ослабить наконечники кабельной муфты и вскрыть нижнюю часть печи, ослабив болты.
- (A2) Ослабить винты зажима и провести через них проводники кабеля. Вытащить старый кабель из муфты кабеля.
- (A3) Провести новый кабель через кабельную муфту.

Присоединить проводники

нового кабеля согласно схеме подключения, на нижней части задней панели печи.

Подключать, строго следуя указаниям, вставить медный мост и электрический кабель вместе под болтами, в сторону закрутки, так, чтобы кабель и мост крепко зафиксировались при затягивании болта.

Тип используемого кабеля (H07RN-F) показан на шильде у каждого соединения, а также сечение напряжения в мм.

- (A4) Закрыть боковую панель печи, затянуть болты и зафиксировать кабель, затянув наконечник кабельной муфты.

Все соединения должны быть туго затянуты перед подключением печи к сети электроснабжения.

ВНИМАНИЕ: неправильное подключение может привести к перегреву клеммной колодки, а затем к взрыву и поражению электрическим током.

Убедиться, что между проводами под напряжением и проводом заземления нет статического напряжения. Проверить электропроводимость концевых выключателей внешнего кожуха и провода заземления сети электроснабжения. Рекомендуется использовать мультитестер при проведении подобных действий.

Устройство должно быть подключено к сети электроснабжения при помощи кабеля H07RN-F.

ЭКВИПОТЕНЦИАЛЬНОЕ СОЕДИНЕНИЕ

Это соединение должно проводиться между различными устройствами при помощи клеммы, показанной на рисунке.

Эта клемма позволяет соединять желтый/зеленый кабель сечением между 2.5 и 10 мм.

Устройство должно включаться в эквипотенциальную систему, с надлежащим образом установленной эффективностью, согласно требованиям действующего законодательства.



VI. ПОДКЛЮЧЕНИЕ ВОДЫ

Убедиться, что устройство расположено возле источника подключения к воде.

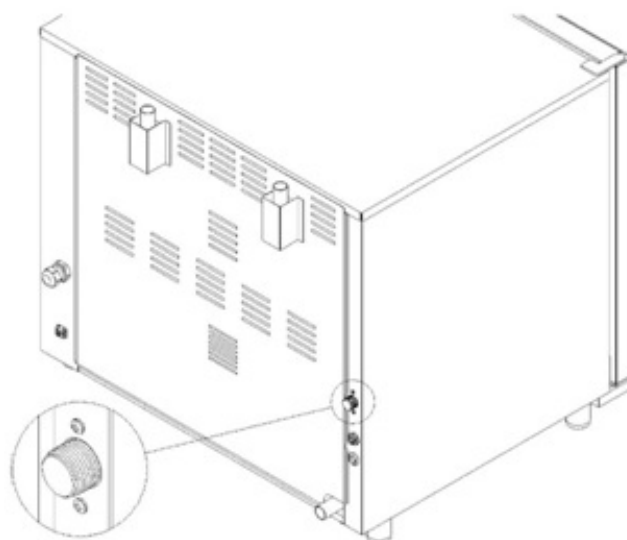
Перед подачей воды к печи необходимо открыть кран и дать воде из водопровода протечь, это позволит удалить из труб частицы и загрязнения, которые могут попасть в магнитные клапаны.

Необходимо установить запорный клапан и механический фильтр между водопроводом и печью.

На задней панели печи, в области, отмеченной шильдом, конвекционная печь имеет входное отверстие G 3/4" с фильтром.

Приточная вода должна иметь давление в пределах 150 (1,5 бар) и 200 кПа (2бар) и максимальную температуру 30°C.

Если давление приточной воды превышает 200кПа (2бара), следует установить редуктор давления, калиброванный на 200кПа (2 бар).



ПОДКЛЮЧЕНИЕ СИСТЕМЫ МОЙКИ К ВОДОСНАБЖЕНИЮ

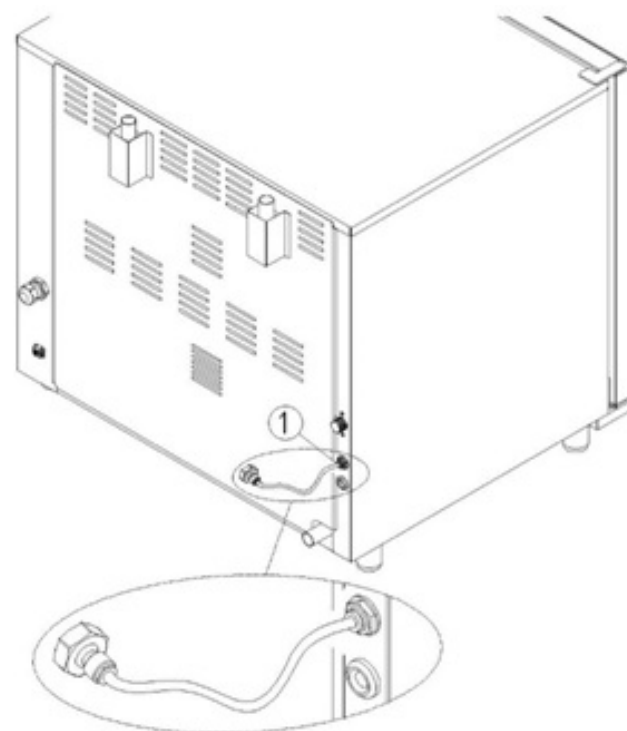
Между сетью водоснабжения и печью необходимо установить отсекающий кран и механический фильтр.

На задней стенке печи имеется разъем G3/4" с трубкой.

ВНИМАНИЕ: Прежде чем подключать оборудование к сети водоснабжения, оставьте на некоторое время воду открытой, чтобы удалить возможные остатки материалов в трубопроводе.

Для правильного функционирования системы мойки давление в сети водоснабжения должно быть по крайней мере 200 кПа (2 бар), а температура не должна превышать 30°C.

В случае, если давление в сети водоснабжения будет ниже указанного значения, система мойки может работать неправильно.



ОБРАБОТКА ВОДЫ

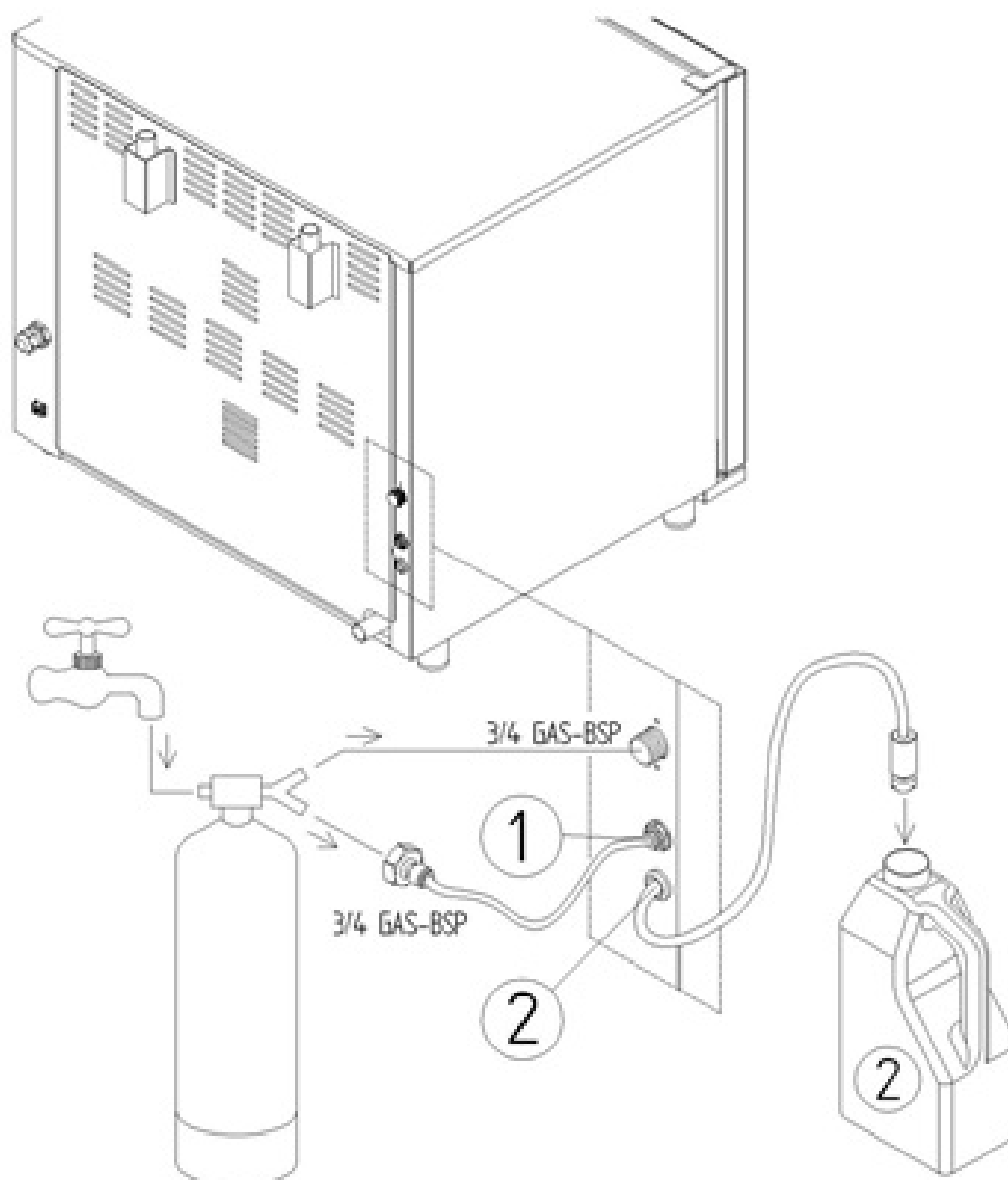
Для обеспечения бесперебойной работы устройства и предотвращения отложений вода должна иметь жесткость, не превышающую 5°dH. При более жесткой воде необходима установка водоумягчительной системы.

ПОДАЧА МОЮЩЕГО СРЕДСТВА

Вставьте шланг со специальными всасывающими насадками в ёмкость с моющим средством.

1=Вход воды МОЙКА

2=Вход моющего средства МОЙКА



VII. ПОДКЛЮЧЕНИЕ СЛИВА

Вода, вытекающая из системы слива печи, может достигать высоких температур (90°). Трубы, используемые для слива воды, должны выдерживать такие температуры.

Парубок слива воды расположен в нижней части задней панели печи, к нему нужно присоединить жесткую или гибкую трубку, которая ведет к открытому дренажу или дренажу-трапу; ее диаметр не должен быть меньше диаметра сливного отверстия печи. Также рекомендуется вставить подходящий сифон между печью и канализацией для предотвращения выхода неприятных запахов и паров из печи и слива.

Запрещается устанавливать сужающиеся гибкие трубки или жесткие трубы с коленчатыми соединениями. Печь должна иметь собственное подключение к сливу. При наличии других устройств, подключенных к одной трубе слива, убедиться, что труба обеспечивает нормальный слив без засоров и закупорки. Рекомендуется строго следовать действующим нормам и стандартам.

ВЫПУСК ПАРА

Во время приготовления из камеры приготовления выделяются горячие пары и запахи. Отверстие выпуска пара расположено в верхней части задней панели печи. Запрещено устанавливать различные предметы на отверстие выпуска пара, чтобы не затруднять выход пара, и не способствовать поломке печи. Рекомендуется установить печь непосредственно под вытяжкой или обеспечить надлежащую вентиляцию для выпуска горячего пара и запахов наружу через трубу диаметром, превышающим диаметр отверстия выпуска пара печи. Не сгибать трубу и не создавать сужений и закупорок трубы.

VIII. ШТАБЕЛИРОВАНИЕ ПЕЧЕЙ

Штабелирование нескольких печей требует использования особого оборудования, позволяющего сохранять расстояние между двумя печами.

IX. ИНФОРМАЦИОННАЯ ТАБЛИЧКА (ШИЛЬД)

The label contains the following information:

- Your code/Name: Art.: L06DC, Model.: L06DC, Ref.: L06DC0101STI01202000NOPSNESS, Ser. N°: 0D0100001, TYPE:
- IPX kPa: 150-200
- Power consumption: 10.8 kW
- Voltage: 380-415V 3N-, 380-415V 2N-, 220-240V 3-
- Frequency: 50-60 Hz
- Weight: KG: 101
- Order: Ord:
- RoHS MADE IN ITALY
- CE, EAC, and a crossed-out trash bin symbol.
- Barcode with number 9000000073197

Annotations on the label:

- ИНФОРМАЦИЯ (Information) points to the top section.
- ПОТРЕБЛЕНИЕ МОЩНОСТИ (Power consumption) points to the 10.8 kW value.
- ВЕС (Weight) points to KG: 101.
- НАПРЯЖЕНИЕ (Voltage) points to the voltage specifications.
- ЧАСТОТА (Frequency) points to 50-60 Hz.

Артикул/Модель	модель, согласно классификации для покупателя
Номер ссылки	модель, согласно внутренней нумерации производителя
Сер. №	идентификационный номер, разный для каждого продукта
ТИП	модель, согласно техническим характеристикам
Информация:	уровень защиты от капель воды IPX / kPa...входное Давление воды
Потребление мощности	номинальная мощность устройства
Электропитание	Тип подключения клемм: напряжение в вольтах, число фаз и нейтрального провода (3N = 3 фазы и нейтральный).
Частота тока	частота тока в герцах.
Вес	вес устройства

ИНСТРУКЦИИ ПО ЭКСПЛУАТАЦИИ

I. ПРЕДУПРЕЖДЕНИЕ

Внимательно ознакомьтесь с содержанием следующей брошюры, в ней содержатся указания по технике безопасности и эксплуатации прибора. Бережно храните ее для использования в будущем.

Неправильная установка, обслуживание, техническое вмешательство, эксплуатация, очистка, а также возможные несанкционированные изменения или вмешательства могут стать причиной возникновения неисправностей, нанесения ущерба и травмирования людей. Как описано выше, это может подвергнуть риску безопасность оборудования и сделать недействительной гарантию.

Устройство предназначено для приготовления пищи в закрытых помещениях, и должно использоваться только таким образом. Любое другое использование не допускается и считается опасным и ненадлежащим. Печь должна эксплуатироваться только персоналом,

специально обученным для работы с печью. Во избежание риска аварий или поломок устройства, персонал, эксплуатирующий печь, должен регулярно проходить инструктаж по технике безопасности. Устройство не подходит для использования людьми с ограниченными возможностями физического или психического здоровья. Запрещается эксплуатация печи людьми, не обладающими необходимым опытом, пока они не были обучены персоналом, несущим ответственность за технику безопасности.

Запрещено оставлять печь без присмотра в присутствии детей, запрещается также давать детям доступ к устройству. Строго запрещено оставлять легковоспламеняющиеся предметы и материалы вблизи устройства: это влечет риск возникновения пожара.

Температура контейнеров с продуктом, аксессуаров и других объектов может быть очень высокой; неосторожное обращение с ними при их переноске может привести к ожогу.

Запрещено прикасаться к ним без необходимых термозащитных приспособлений.

Следует проявлять крайнюю осторожность, открывая дверцы печи: возможны сильные ожоги выхода горячего воздуха. Печь оснащена системой безопасности, которая автоматически останавливает работу вентиляторов и подачу пара при открывании двери.

При приготовлении следует использовать термощуп. Вынимая противни из печи, необходимо быть особенно внимательными: вынимать противни отдельно от приготовляемой пищи и не препятствовать работе печи.

Не помещать в печь легковоспламеняющиеся продукты или продукты, содержащие алкоголь, так как это может вызвать возгорание и привести к взрыву.

Запрещается солить пищу внутри камеры приготовления печи. Если это необходимо, камера должна быть очищена как можно быстрее после приготовления, так как соли могут повредить поверхности камеры приготовления.

Разрешается выставлять программы только пальцами, использование других объектов может повредить панель, что повлечет за собой прекращение действия гарантии.

Установка, внеочередное техническое обслуживание и ремонт оборудования должны выполняться только профессиональным, квалифицированным персоналом.

Внимание! Внешние поверхности печи могут нагреваться до температуры более 60°C , поэтому во избежание ожогов, запрещено прикасаться к внешним панелям печи, отмеченным знаком на рисунке.



При повреждении компонентов стеклянной двери печи следует незамедлительно заменить их (свяжитесь со Службой Поддержки).

Если печь не используется в течение длительного времени (нескольких дней), нужно отключить ее от сети электроснабжения и от подачи воды.

Производитель не несет ответственность за ущерб, нанесенный людям или имуществу и вызванный несоблюдением вышеуказанных инструкций, несанкционированным вмешательством в работу хотя бы одного компонента, а также использованием запасных частей, приобретенных не у фирмы-производителя.

II. ПРИЕМОЧНЫЕ ИСПЫТАНИЯ

Внутри не должны быть никаких полиэтиленовые пакеты, инструкции по эксплуатации, пластиковые пленки и т.д. Необходимо убедиться, что держатели противней крепко зафиксированы на стенах внутри камеры приготовления. В ином случае противни с едой или с горячими жидкостями могут опрокинуться и вызвать появление ожогов.



ТЕСТИРОВАНИЕ

Печь должна пройти приемочные испытания путем проведения тестового прогона, чтобы проверить работу устройства, а также удостовериться в том, что нет проблем или неисправностей. Установить температуру на 150° C и таймер на 10 минут.

Проверить все пункты из данного списка:

- Лампочка внутри камеры приготовления горит.
- Печь останавливает работу (подогрев, увлажнение, моторы, вентиляторы) при открытой двери и возобновляет работу при закрытой двери.
- При достижении заданной температуры, термостат отключает нагревательные элементы.
- Вентиляторы автоматически меняют направление вращения через каждые 2 минуты. Увлажнение отключается на 20 секунд, когда мотор останавливается.
- Вентиляторы камеры приготовления вращаются в одном направлении.
- Если печь оборудована функцией пароувлажнения, после ее активации, подается на вентилятор камеры печи из входного канала увлажнения.

ПЕРВАЯ КАМЕРА ОЧИСТКА ПЕЧЬ ПРИГОТОВЛЕНИЕ

Перед выполнением каких-либо очистки, вам нужно сократить питание прибора и дождаться полного остывания.

Там не должно быть никаких остатков растворителей или моющих средств в камере для приготовления пищи. Они должны быть утилизированы глубокой очистки с влажной тканью и с использованием элементов защиты для глаз, рук и рта. возможная опасность коррозии.

Горячий вакуумной печи при температуре 200 ° C (392 ° F) в течение приблизительно 30 минут, чтобы удалить запах теплоизолятор. Очистите стенки камеры для приготовления пищи с горячей водой и мылом, а затем промыть. Никогда не используйте агрессивные или кислотные продукты.

III. ШТАТНОЕ ТЕХНИЧЕСКОЕ ОБСЛУЖИВАНИЕ

Пользователь сам несет ответственность за штатное техническое обслуживание. Связываться со Службой поддержки необходимо только в случае внеочередного технического

обслуживания, требующего вмешательства, квалифицированного уполномоченного технического специалиста.

Прежде чем приступить к каким-либо действиям по очистке, необходимо отключить подачу электропитания на прибор и дождаться его полного охлаждения.

ВНИМАНИЕ! Никогда нельзя очищать прибор струей воды или пара под давлением.

ОБЫЧНАЯ ЧИСТКА КАМЕРЫ ПРИГОТОВЛЕНИЯ

Рекомендуется чистить камеру приготовления ежедневно для поддержания гигиены и предотвращения ухудшения качества стали.

При чистке печи запрещается использовать потоки воды под высоким давлением или аппараты для отпаривания. Кислотные, абразивные моющие средства или средства, содержащие каустическую соду, запрещены.

При ручной чистке:

- Включить печь и установить температуру 80°C.
- Оставить печь включенной на 10 минут с включенной подачей пара
- Выключить печь и дождаться полного остывания
- Промыть теплой водой с мыльным раствором, ополоснуть.

Строго запрещается мыть камеру приготовления при температуре выше 70°C, так как существует опасность ожога.

Ежедневная чистка обшивки камеры приготовления печи осуществляется при помощи неабразивного моющего средства, для обеспечения нормального функционирования устройства. Рекомендуется использовать пластиковую щетку или мягкую губку с уксусом и теплой водой в случае наличия отложений грязи.

Внимание: остаточные жиры, которые могут находиться в камере приготовления печи, могут вызвать возгорание, поэтому рекомендуется, сразу же удалять их.

Использовать только моющие средства, рекомендованные производителем устройства.

ВНЕШНЯЯ ЧИСТКА

Использовать влажную ткань или средства, подходящие для чистки нержавеющей, стали.

Не использовать средства, содержащие кислоту или аммиак.

ВНИМАНИЕ: устройство никогда нельзя мыть струями воды под напором.

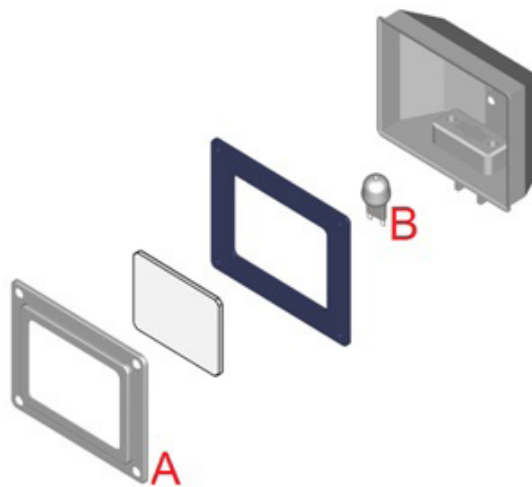
ВНУТРЕННЯЯ СТОРОНА ДВЕРНОГО СТЕКЛА И ЧИСТКА ДВЕРИ

Чтобы прочистить дверное стекло с внутренней стороны, нужно дождаться полного остывания двери. Достаточно вручную открутить верхний и нижний винт со стороны ручки, которые фиксируют стальной профиль стеклянного окна. Затем поверните стекло. В этом положении вся дверь может быть тщательно вычищена, при этом стекло останется навешенным на дверь.

ЗАМЕНА ЛАМП

ВНИМАНИЕ: Строго придерживаться следующей процедуры, чтобы избежать поражения электрическим током или повреждения людей:

- Отключите электрическое соединение из духовки и оставьте его для охлаждения.
- снять боковые решетки, которые держат противни.
- снять крышку «А», открутив 4 крепежных винта
- Замените лампу «В» с одним с такими же характеристиками.
- Установите на место крышку «А» и зафиксируйте его с помощью 4 винтов предварительно удалены
- Установите боковые решетки обратно на обеспечение они хорошо оборудованы.



При поломке или повреждении стеклянного колпачка крышки, не пользоваться печью до замены колпачка (Свяжитесь со Службой поддержки).

Данное устройство соответствует всем действующим директивам ЕС.

IV. ВНЕОЧЕРЕДНОЕ ТЕХНИЧЕСКОЕ ОБСЛУЖИВАНИЕ

Квалифицированный технический специалист должен периодически проверять устройство (по меньшей мере, один раз в год).

Любое техническое обслуживание, установка или ремонт должны выполняться квалифицированным уполномоченным персоналом, после обращения в Службу поддержки. Перед выполнением любых действий, устройство должно быть отключено от сети электропитания, должны быть закрыты все краны подключения к воде, кроме того, печь следует предварительно охладить.

Перед перемещением устройства с места его установки, отключить все электрические подключения и подачу воды (электрические кабели, вода и слив) надлежащим образом. Если устройство оснащено колесиками, убедиться, что электрические кабели, трубы или что-либо другое не повредятся при передвижении. Убедиться в функционировании тормозов. Не помещать устройство возле источников тепла (жарочные плиты и т.д.).

После проведения обслуживания и установки устройства в первоначальное положение, убедиться, что подключение электричества и воды прошло нормально.

V.РЕМОНТ ПРИ ПОЛОМКЕ

При поломке устройства, отключить его от сети электроснабжения, и вырубить подачу воды. Перед тем, как связываться со службой поддержки, необходимо свериться с таблицей. Если проблема сохраняется, рекомендуем обратиться к продавцу или производителю оборудования, и отправить запрос на обслуживание, указав проблему, а также код (Арт.) и серийный номер устройства.

Эта информация указана на ИНФОРМАЦИОННОМ ШИЛЬДЕ на боковой панели оборудования.

неисправность	неисправность	решение
Печь не включается	Дверца не закрыта	Закрыть дверцу печи
	Микровыключатель не показывает закрытия двери	Обратиться к техническому специалисту для ремонта (Служба поддержки).
Вентилятор не работает во время работы печи	Срабатывание термостата безопасности мотора	Отключить печь и дождаться сброса термозащиты мотора. Если проблема сохраняется, обратиться к техническому специалисту (Служба поддержки).
	Поломка конденсатора мотора	Связаться с техническим специалистом для ремонта (Служба поддержки).
Внутренняя лампа не зажигается	Лампа неплотно прикручена	Хорошо прикрутить лампу
	Лампа перегорела	Заменить лампу (см. очередное техническое обслуживание)
Вода не поступает в трубку увлажнителя	Закрыт доступ воды	Открыть доступ воды
	Неправильное подключение системы подачи воды	Проверить подключение к системе подачи воды
	Засорились фильтры из-за загрязнений сверху	Почистить фильтры
Неравномерное приготовление	Вентиляторы больше не меняют направление движения	Связаться со специалистом для ремонта (Служба поддержки).
	Один из вентиляторов не работает	Связаться со специалистом для ремонта (Служба поддержки).
	Поломка одного из резисторов парообразователя	Связаться со специалистом для ремонта (Служба поддержки).

Печь не работает, отключилась	Отсутствие электропитания	Восстановить подачу электропитания
	Неправильное подсоединение к сети подачи электропитания	Проверить соединение с сетью электроснабжения
	Срабатывание термостата безопасности	Связаться со специалистом для ремонта (Служба поддержки).
Протечка воды из прокладок при открытой двери	Грязная обшивка	Прочистить обшивку при помощи влажной ткани
	Поврежденная прокладка	Связаться со специалистом для ремонта (Служба поддержки).
	Проблема закрытия дверцы	Связаться со специалистом для ремонта (Служба поддержки).

ЗАПАСНЫЕ ЧАСТИ Разрешается использование только одобренных запасных частей для ремонта оборудования. Любое вмешательство должно проводиться только уполномоченными техническими специалистами. При наличии потребности в запасных частях, рекомендуем связаться со Службой поддержки.

VI. СОВЕТЫ ПРИ ПРИГОТОВЛЕНИИ

При приготовлении на гриле жирных продуктов, таких, как стейки или курица, рекомендуется вставить контейнер для сбора жира на дно камеры приготовления.

При заполнении контейнеров для приготовления пищи, противней или гастроемкостей жидкостями, убедитесь, что они не прольются вовремя и после готовки, при вытаскивании их из печи. Существует опасность ожога! Если печь располагается на шкафах, столах из нержавеющей стали или других печах, не рекомендуется использовать полки на такой высоте, из-за которых печь будет находиться выше уровня глаз. Опасность ожога!

Следует всегда чистить (мыть) аксессуары перед их использованием.

Для хорошего равномерного приготовления пищи не рекомендуется использовать глубокие противни, так как они препятствуют равномерной циркуляции воздуха. Пространство между продуктом и верхним противнем должно составлять не менее 2 см.

Для равномерного приготовления не перегружать печь, убедиться, что продукты установлены правильно по отношению к направлению потока воздуха в камере приготовления.

Правильное использование термощупа: вставить термощуп в наиболее толстую часть продукта сверху вниз, центр термощупа должен находиться в середине продукта. Для предотвращения потери тепла при открывании дверцы при закладке продукта в печь, следует предварительно разогреть печь до температуры хотя бы на 30 °C выше требуемой температуры приготовления.

Если необходимо вмешаться в процесс приготовления, дверь должна оставаться открытой как можно меньше времени, чтобы избежать потерь тепла, что может отразиться на процессе приготовления.

***ВНИМАНИЕ:** рекомендуется открывать дверцу в два этапа: сначала приоткрыть дверь на 3-4 см и удерживать в течение 45 секунд, затем полностью открыть дверь. Это предотвратит возможные ожоги, связанные с выходом пара и тепла.*

РАЗМОРОЗКА

Печь может использоваться также для ускорения процесса разморозки продуктов перед приготовлением, при помощи разгона воздуха при комнатной или более низкой температуре (в зависимости от размера размораживаемого продукта). Это гарантирует быстрое оттаивание замороженных продуктов без изменения их вкуса и внешнего вида.

ПАР

Система парообразования рекомендуется для более деликатной обработки всех типов продукта. Более того, она используется для быстрой разморозки, подогрева продукта без потери влаги или затвердевания и для естественного обессоливания продукта, консервированного путем его засаливания. Комбинация функции подачи пара с другими функциями позволяет экономить время и электроэнергию, одновременно сохраняет питательные и вкусовые качества продукта неизменными. Это идеальная система приготовления для всех типов продуктов. Вода – подается на вентилятор, дробится и проходит через сопротивление, превращаясь в пар. **ВНИМАНИЕ:** нормальное функционирование группы подачи пара требует, чтобы температура термостата была установлена минимум на 80--100°C. Пар редко производится при меньших температурах, так как значительный объем воды опадает на дно печи. Кроме того, для пара хорошего качества и качественного приготовления продукта, перед активацией подачи пара требуется разогреть печь до желаемой температуры.

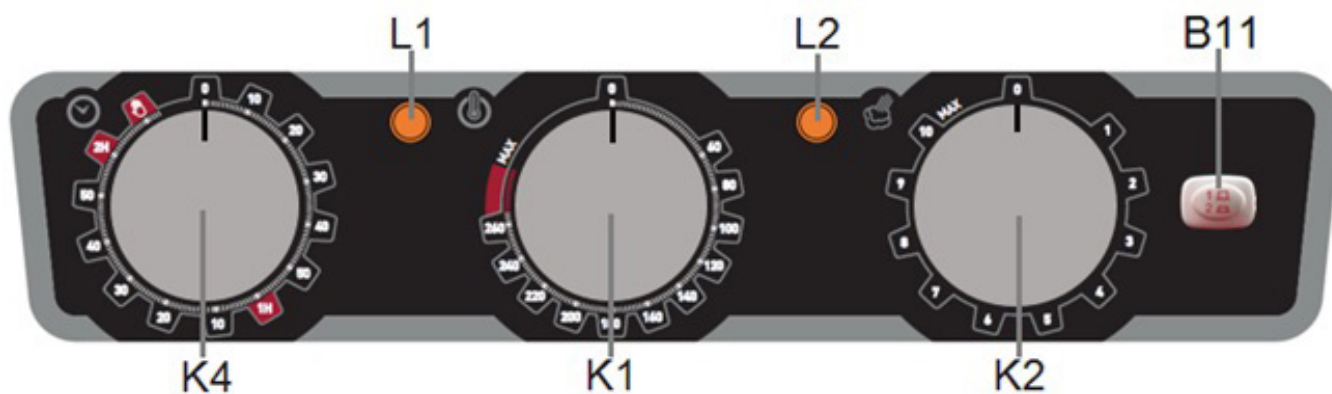
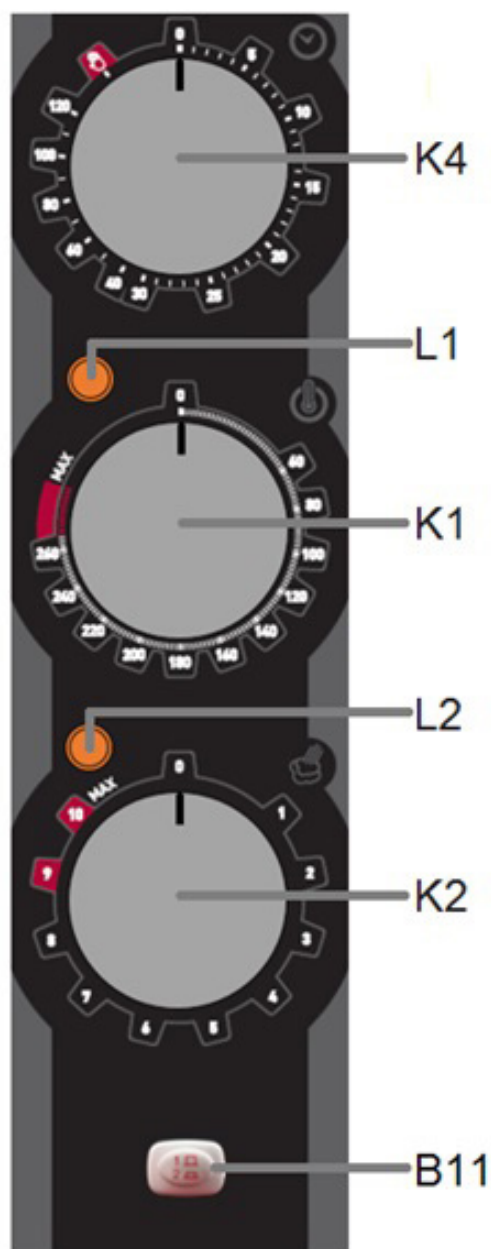
ПРЕДВАРИТЕЛЬНЫЙ РАЗОГРЕВ

Чтобы избежать потери тепла при открытой дверце печи (для закладки продукта) следует нагреть печь до температуры примерно на 30 °C выше температуры, требуемой для приготовления данного продукта.

VII.МЕХАНИЧЕСКАЯ ПАНЕЛЬ УПРАВЛЕНИЯ ПЕЧЬЮ

K1	Ручка температуры
K2	Ручка влажности
K4	Ручка таймера
L1	Индикатор термостата
L2	Индикатор термостата
B11	Кнопка скорости вентиляторов/двигателей*

**доступно только для моделей с возможностью выбора скорости вентилятора*



ТАЙМЕР

При установке таймера на ручное управление (знак руки) печь будет работать, пока оператор не отключит ее.

При выборе определенного значения печь будет работать в течение этого времени (максимум 120 минут).

ПЕРЕКЛЮЧАТЕЛЬ ТЕМПЕРАТУРЫ

Этот переключатель позволяет выбирать температуру приготовления.

ИНДИКАТОР ТЕРМОСТАТА

Этот индикатор загорается при включенных нагревательных элементах, то есть, когда температура в камере приготовления ниже установленной. Когда индикатор гаснет, это означает, что подача тепла отключена и печь достигла нужной температуры.

ПЕРЕКЛЮЧАТЕЛЬ ПОДАЧИ ПАРА

Этот переключатель позволяет активировать функцию увлажнения, интенсивность подачи пара регулируется от минимума к максимуму по часовой стрелке.

ВНИМАНИЕ: нормальная работа функции увлажнения требует, чтобы температура термостата была не менее 80-100°C.

При низкой температуре в камере приготовления пар не производится, и большая часть воды опадает вниз на слив.

Более того, хорошее приготовление с паром требует предварительного разогрева печи до требуемой температуры перед активацией подачи пара.

ИНДИКАТОР УВЛАЖНЕНИЯ

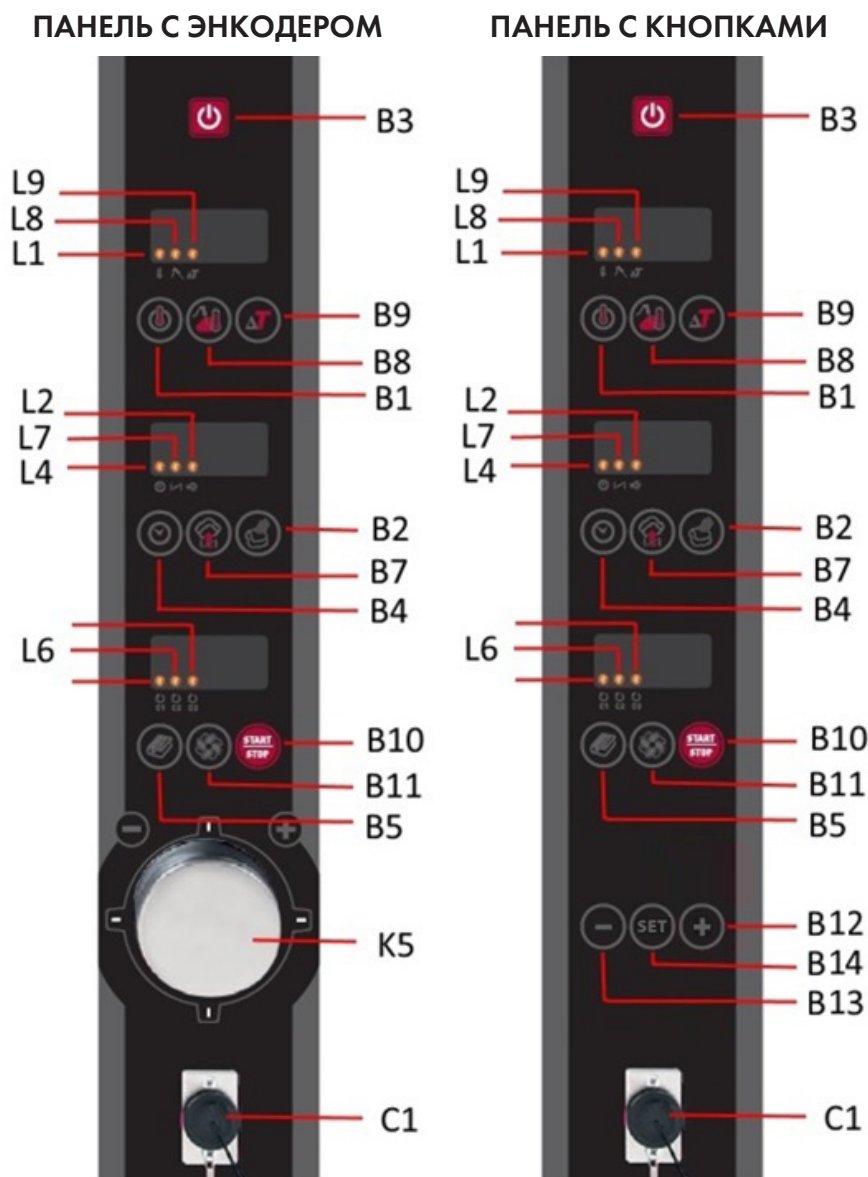
Если индикатор горит, значит, вода попадает в камеру приготовления для производства пара. Это происходит независимо от температуры в камере (оператор должен проверить, подходит ли температура для обеспечения хорошего качества приготовления).

РЕГУЛИРОВКА СКОРОСТИ

Для духового шкафа предусмотрены две скорости вентилятора/двигателя. Нажать на кнопку и ввести нужную:

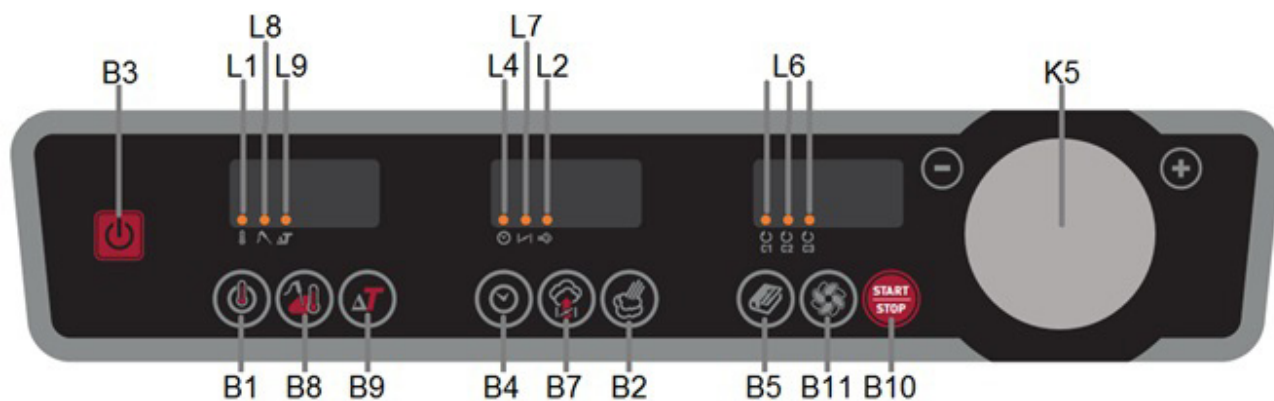
- 1 означает, что двигатель работает на максимальной скорости; эта скорость используется в большинстве случаев.
- 2 означает, что двигатель работает на минимальной скорости; эта скорость используется, в основном, для деликатной продукции, такой как кондитерские изделия.

VIII.ЦИФРОВАЯ ПАНЕЛЬ УПРАВЛЕНИЯ

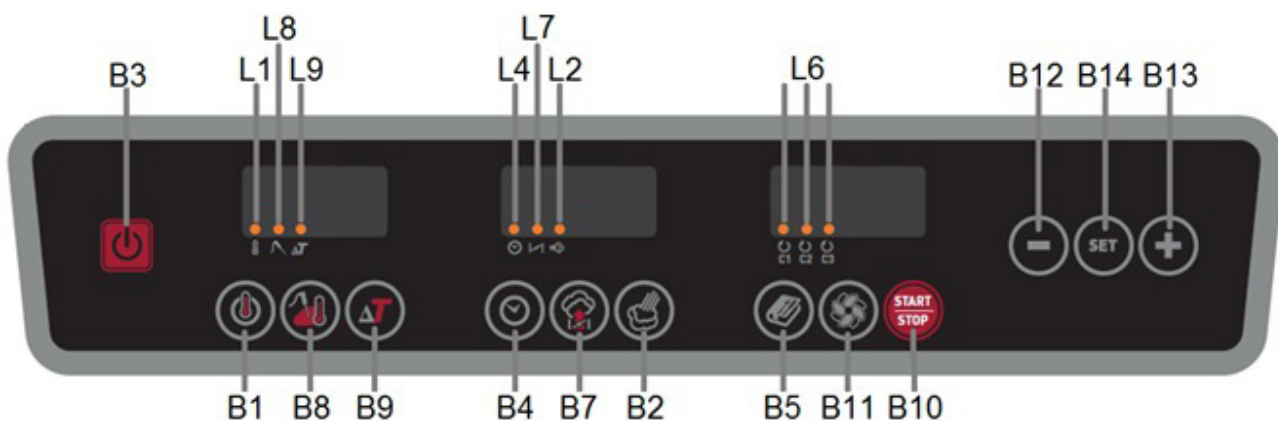


K5	Энкодер для регулировки " + / -"	B4	Кнопка времени
L1	Индикатор термостата	B5	Кнопка программ приготовления
L2	Индикатор влажности	B7	Кнопка дымохода
L4	Индикатор времени	B8	Кнопка датчика-щупа
L6	Индикатор этапов приготовления	B9	Кнопка разницы температур
L7	Индикатор дымохода	B10	Кнопка СТАРТ/СТОП приготовления
L8	Индикатор датчика-щупа	B11	Кнопка скорости вентиляторов/двигателей*
L9	Индикатор разницы температур	C1	Вход датчика-щупа
B1	Кнопка температуры	B12	Увеличение значения
B2	Кнопка влажности	B13	Уменьшение значения
B3	Кнопка ВКЛ / ВЫКЛ	B14	Подтверждение

ПАНЕЛЬ С ЭНКОДЕРОМ



ПАНЕЛЬ С КНОПКАМИ



K5	Энкодер для регулировки " + / -"	B4	Кнопка времени
L1	Индикатор термостата	B5	Кнопка программ приготовления
L2	Индикатор влажности	B7	Кнопка дымохода
L4	Индикатор времени	B8	Кнопка датчика-щупа
L6	Индикатор этапов приготовления	B9	Кнопка разницы температур
L7	Индикатор дымохода	B10	Кнопка СТАРТ/СТОП приготовления
L8	Индикатор датчика-щупа	B11	Кнопка скорости вентиляторов/двигателей*
L9	Индикатор разницы температур	B12	Увеличение значения
B1	Кнопка температуры	B13	Уменьшение значения
B2	Кнопка влажности	B14	Подтверждение
B3	Кнопка ВКЛ / ВЫКЛ		

*доступно только для моделей с возможностью выбора скорости вентилятора

Кнопка ON/OFF (ВКЛ/ВЫКЛ)

При подключении к электричеству загорается панель управления и рабочий дисплей показывает значение OFF (ВЫКЛ). Активация панели управления происходит нажатием кнопки ON/OFF (ВКЛ/ВЫКЛ).

СЕЛЕКТОР ТЕМПЕРАТУРЫ - ПАНЕЛЬ С ЭНКОДЕРОМ

Нажать кнопку Температура, установить нужное значение вращением регулятора. Он вращается по часовой стрелке и против часовой стрелки, увеличивая или уменьшая значения на дисплее соответственно. Далее необходимо нажать на регулятор для подтверждения значения. При приготовлении на дисплее всегда будет отображаться реальная температура внутри камеры приготовления. Чтобы увидеть заданную температуру, нужно нажать на кнопку Температура.

СЕЛЕКТОР ТЕМПЕРАТУРЫ - ПАНЕЛЬ С КНОПКАМИ

После нажатия кнопки температура и с помощью кнопок "+" и "-" установить желаемое значение температуры.

По завершении программирования нажать на кнопку "SET" для подтверждения.

Печь во время работы отобразит фактическое значение температуры внутри варочной камеры.

Чтобы увидеть значение заданной температуры, нажать на кнопку температура.

ТЕРМОЩУП - ПАНЕЛЬ С ЭНКОДЕРОМ

При использовании щупа в процессе приготовления нажать на кнопку Термощуп, расположенную за кнопкой Температура, выбрать нужную температуру вращением регулятора, нажать на регулятор для подтверждения выбранного значения. Печь отключится, когда термощуп зарегистрирует установленную температуру.

ТЕРМОЩУП - ПАНЕЛЬ С КНОПКАМИ

Для приготовления пищи с температурным щупом вставить его в нижнюю часть панели управления. Снять пробку, нажать на кнопку щупа и установить значение температуры с помощью кнопок "+" и "-". Нажать на кнопку "SET" для подтверждения.

Приготовление будет прервано, когда щуп, вставленный в пищу, зарегистрирует требуемую температуру.

DELTA T - ПАНЕЛЬ С ЭНКОДЕРОМ

Чтобы готовить с функцией Delta T, нужно нажать кнопку Delta T, и:

- 1) установить значение температуры термощупа регулятором (нажать для подтверждения)
- 2) вращением регулятора установить значение температуры Delta T (требуемая разница между температурой щупа и температурой внутри камеры приготовления), нажать для подтверждения.

ВНИМАНИЕ: перед выставлением значений вставить щуп!

DELTA T - ПАНЕЛЬ С КНОПКАМИ

Чтобы готовить с функцией Delta T, нужно нажать кнопку Delta T, и:

1) Задать значение температуры щупа с помощью кнопок "+" и "-". Нажать на кнопку "SET" для подтверждения.

2) Установить значение температуры Дельта Т (разница температур между температурным щупом и варочной камерой) с помощью кнопок "+" и "-". Нажать на кнопку "SET" для подтверждения.

ВНИМАНИЕ: перед выставлением значений, вставить щуп!

КНОПКА ВЫТЯЖНОЙ ТРУБЫ

нажмите кнопку «выпускной» и установить «статус открытого» или «закрытого состояния» когда «выхлоп свет» находится на дымовой трубе открыт, когда «выхлоп свет выключен» дымоход закрывается.

РЕГУЛЯТОР ПАРА - ПАНЕЛЬ С ЭНКОДЕРОМ

Нажать на кнопку Пар и вращением регулятора выставить необходимый процент пара, нажать для подтверждения. Можно установить значения от 0 до 10, таблица внизу показывает соответствующие значения в процентах:

РЕГУЛЯТОР ПАРА - ПАНЕЛЬ С КНОПКАМИ

Нажать на кнопку «пар» и установить желаемое процентное значение пара с помощью кнопок "+" и "-". Нажать на кнопку "SET" для подтверждения. Можно установить от 0 – 10, и в таблице ниже указано процентное значение:

Значение	Значение в процентах	Значение	Значение в процентах
0	0%	6	60%
1	10%	7	70%
2	20%	8	80%
3	30%	9	90%
4	40%	10	100%
5	50%		

РУЧНОЕ УВЛАЖНЕНИЕ

Нажатие кнопки Пар (Steam Selector) позволит подавать пар в камеру приготовления в течение всего времени удержания кнопки.

ХРАНЕНИЕ ПРОГРАММ ПРИГОТОВЛЕНИЯ - ПАНЕЛЬ С ЭНКОДЕРОМ

1) Использование загруженной программы приготовления: Чтобы использовать уже записанную программу, нажать кнопку Программа приготовления и вращением регулятора выбрать номер желаемой программы, нажать на регулятор для подтверждения информации, печь запустит программу и начнет работу.

2) Загрузка новой программы: Чтобы записать новую программу, нужно нажать кнопку Программа приготовления и вращением регулятора найти первый мигающий номер приготовления, нажать на регулятор для подтверждения. Внести информацию о первом этапе приготовления (температура, время, пар и т.д.), загорится индикатор 1. Нажать кнопку Программа приготовления, загорится индикатор 2. Можно вносить информацию о втором этапе приготовления 2). Ввести всю информацию о второй фазе (температура, время, пар и т.д.), нажать кнопку Программа приготовления, и перейти к третьей фазе (загорится индикатор 3). Ввести всю информацию о третьей фазе (температура, время, пар, и т.д.), нажать кнопку Программа приготовления и перейти к четвертой фазе (загорятся все три индикатора). Ввести всю информацию о четвертой фазе (температура, время, пар и т.д.), нажать кнопку Программа приготовления, удерживать ее в течение 5 секунд, пока не появится надпись MEM (это значит, что программа была записана).

Если процесс приготовления состоит из 1-2 фаз, по окончании внесения необходимой информации (температура, время, пар и т.д.), нажать и удерживать в течение 5 секунд кнопку Программа приготовления, пока не появится надпись MEM (программа записана).

ХРАНЕНИЕ ПРОГРАММ ПРИГОТОВЛЕНИЯ - ПАНЕЛЬ С КНОПКАМИ

1) Программа загрузки уже сохраненного приготовления: если необходимо использовать сохраненную программу, нажать на кнопку "programma cottura" (программа приготовления) и с помощью кнопок "+" и "-", выбрать номер желаемой программы. Нажать на кнопку "SET" (УСТ.) для подтверждения.

Нажать кнопку СТАРТ/СТОП, чтобы запустить заданную программу.

2) Новая программа приготовления: если необходимо сохранить новую программу, нажать на кнопку «программа приготовления», и с помощью кнопок "+" и "-" необходимо достигнуть первый мигающий номер. Нажать на кнопку "SET" (УСТ.) для подтверждения. Теперь можете начать ввод всей информации для первой фазы (температура, время, пар, т.д.), и загорится индикатор на 1 СИД.

Нажать на кнопку "программы" и перейти ко второй фазе (см. СИД в положении № 2). Ввести всю информацию для второй фазы (температура, время, пар и пр..) и нажать кнопку "программы" для перехода к третьей фазе (см. СИД в положении № 3).

Ввести всю информацию для третьей фазы (температура, время, пар и пр..) и нажать кнопку “программы” для перехода к четвертой фазе (см. все 3 световые индикатора).

Ввести всю информацию для четвертой фазы (температура, время, пар, пр.) и нажать кнопку “программы” и удерживать ее нажатой в течение 5 секунд, пока на дисплее не появится МЕМ (значит, что программа была сохранена).

В случае если приготовление имеет всего 1 или 2 фазы, когда настройки завершены (температура, время, пар, пр.), нажать на кнопку Программа и удерживать её нажатой в течение 5 секунд, пока на дисплее не появится МЕМ (значит, что программа была сохранена).

ОТМЕНА ОДНОЙ ФАЗЫ ИЛИ ПРОГРАММЫ - ПАНЕЛЬ С ЭНКОДЕРОМ

1. Если вы хотите удалить одну фазу из программы, необходимо выполнить следующие действия: нажать кнопку ПРОГРАММЫ ПРИГОТОВЛЕНИЯ и, используя кодирующее устройство, выбрать номер желаемой программы. Подтвердить, нажав кнопку на кодирующем устройстве. Затем нажимать кнопку ПРОГРАММЫ, пока не будет выбрана желаемая фаза. После этого нажмите и удерживайте в нажатом положении кнопку ВРЕМЯ более 5 секунд.

2. Если вы хотите удалить программу, необходимо действовать следующим образом: сначала удалите все фазы (как описано в пункте 1). Затем нажмите и удерживайте в нажатом положении кнопку ПРОГРАММА в течение 5 секунд, пока на дисплее не появится надпись МЕМ (это означает, что программа была сохранена с отменёнными фазами)

ОТМЕНА ОДНОЙ ФАЗЫ ИЛИ ПРОГРАММЫ - ПАНЕЛЬ С КНОПКАМИ

1. Если необходимо удалить фазу из программы, необходимо: нажать кнопку “программа приготовления” и с помощью кнопок “+” и “-”, чтобы выбрать желаемый номер программы. Нажать на кнопку “SET” для подтверждения. Затем нажимать кнопку «программы приготовления», пока не будет выбрана желаемая фаза. После этого нажмите и удерживайте в нажатом положении кнопку «ВРЕМЯ» более 5 секунд.

2. Если вы хотите удалить программу, необходимо действовать следующим образом: сначала удалите все фазы (как описано в пункте 1). Затем нажмите и удерживайте в нажатом положении кнопку ПРОГРАММА в течение 5 секунд, пока на дисплее не появится надпись МЕМ (это означает, что программа была сохранена с отменёнными фазами)

ВОЗВРАТ К РУЧНОМУ РЕЖИМУ ПРИГОТОВЛЕНИЯ - ПАНЕЛЬ С ЭНКОДЕРОМ

Чтобы выйти из запрограммированных режимов и вернуться к РУЧНОМУ режиму приготовления, необходимо удерживать в нажатом положении рукоятку ENCODER (КОДИРУЮЩЕЕ УСТРОЙСТВО) до тех пор, пока на дисплее не появится надпись MAN (РУЧН. РЕЖИМ).

ВОЗВРАТ К РУЧНОМУ РЕЖИМУ ПРИГОТОВЛЕНИЯ - ПАНЕЛЬ С КНОПКАМИ

Чтобы выйти из запрограммированных режимов и вернуться к РУЧНОМУ режиму приготовления, необходимо удерживать в нажатом положении кнопку SET (УСТ.) до тех пор, пока на дисплее не появится надпись MAN (РУЧН. РЕЖИМ).

ПРЕДВАРИТЕЛЬНЫЙ НАГРЕВ - ПАНЕЛЬ С ЭНКОДЕРОМ

Эта функция активируется только при использовании записанных программ. Печь подогрывается до температуры, на 30°C выше желаемой температуры приготовления, согласно программе. Эта функция позволяет компенсировать потери тепла, которые происходят при открывании двери печи для загрузки продуктов. Чтобы активировать предварительный нагрев, нужно нажать кнопку Программы приготовления, и вращением регулятора найти первый мигающий номер программы, нажать для подтверждения. На первой фазе, нажать Таймер и вращением регулятора перейти к значению "infin" (это значит, что печь будет работать без ограничения по времени), нажать на регулятор для подтверждения. Перейти к программированию других фаз, согласно описанию выше, в конце нажать кнопку для запоминания программы. Печь начнет предварительный разогрев камеры приготовления, пока не будет достигнута температура, превышающая на 30°C заданную программой, затем раздастся звуковой сигнал. Сигнал прерывается открытием двери (при загрузке продуктов в камеру приготовления), и таким образом, начнется предустановленная программа. Сигнал может быть остановлен также нажатием кнопки START/STOP.

ПРЕДВАРИТЕЛЬНЫЙ НАГРЕВ - ПАНЕЛЬ С КНОПКАМИ

Эта функция используется для компенсации потери тепла, которая происходит после открытия двери печи и ввода продуктов питания.

Чтобы ввести предварительный нагрев печи, нажмите кнопку Сборник рецептов и, в первой фазе, (когда горит светодиод на № 1) с помощью кнопки "-" найдите "INF" (что означает неограниченное время). Нажать на кнопку "SET" для подтверждения. Теперь можно ввести другие фазы приготовления. При нажатии START/STOP печь начнет предварительный нагрев варочной камеры до достижения значения на 20% больше заданной температуры приготовления, а затем издаст звуковой сигнал. Сигнал прерывается при открытии двери (для ввода продуктов питания в печь), а при закрытии начинается фаза, предварительно установленная в программе. Сигнал можно остановить без фазы активации и дезактивации предварительного нагрева, просто нажав на кнопку START/STOP.

РЕГУЛИРОВКА СКОРОСТИ

Печь имеет два различных скорости вентилятора / двигателя:

«Min» минимум: это означает, что двигатель работает на минимальной скорости и используется специально для деликатных блюд (особенно кондитерские изделия)

«Max» Максимум: означает, что двигатель работает на полной скорости, и используется в большинстве видов приготовления пищи.

Для регулировки скорости вращения вентилятора, нажмите кнопку быстрого и вставьте нужные «Min» или «Max», который вы видите на дисплее.

START/STOP (СТАРТ/СТОП)

Нажатием этой кнопки запускается/останавливается предварительно выставленная программа приготовления.

КОЛЕСИКО РЕГУЛЯТОРА

Колесико регулятора вращается по часовой стрелке или против часовой стрелки, увеличивая или уменьшая значения, показанные на дисплее. Для подтверждения выбора необходимо нажать на колесико, в противном случае, значение на дисплее будет мигать.

СЕКЦИЯ ЩУПА

Секция, куда вставляется щуп. Время приготовления не может быть задано, так как приготовление закончится, когда будет достигнута определенная температура щупа внутри продукта.

ОХЛАЖДЕНИЯ АВТОМАТИЧЕСКОЙ ВАРОЧНАЯ КАМЕРА - ПАНЕЛЬ С ЭНКОДЕРОМ

Чтобы автоматически снизить температуру камеры приготовления, следует нажать кнопку Температура, вращением регулятора установить желаемую температуру, открыть дверь и нажать на колесико регулятора для подтверждения. Печь немедленно снизит температуру.

ОХЛАЖДЕНИЯ АВТОМАТИЧЕСКОЙ ВАРОЧНАЯ КАМЕРА - ПАНЕЛЬ С ЭНКОДЕРОМ

Чтобы автоматически уменьшить Температуру печи, достаточно нажать на кнопку температуры и задать желаемую температуру с помощью кнопок "+" и "-", а затем подтвердить с помощью кнопки "SET". Печь автоматически запустит крыльчатки, и начнется охлаждение печи. Эта функция работает также с открытой дверью, и это позволяет опустить температуру за очень короткий срок.

АВТОМАТИЧЕСКАЯ МОЙКА - ПАНЕЛЬ С ЭНКОДЕРОМ

Функционирование системы мойки происходит полностью в автоматическом режиме: достаточно выбрать желаемую программу.

При выключенной панели управления нажмите рукоятку ENCODER.

На дисплее появится CLN_01. Поворачивайте рукоятку ENCODER до тех пор, пока не появится желаемая функция. Снова нажмите рукоятку ENCODER, чтобы запустить выполнение программы.

CLN_01: БЫСТРАЯ мойка (45 минут).

CLN_02: мойка СРЕДНЕЙ ПРОДОЛЖИТЕЛЬНОСТИ (56 минут).

CLN_03: ДОЛГАЯ мойка (65 минут).

CHr: заполнение насоса подачи моющего средства (3 минуты).

Заполнение насоса подачи моющего средства посредством программы CHr должно выполняться в следующих случаях:

- при первом включении после установки.
- каждый раз, когда опустошается ёмкость с моющим средством.
- после длительного периода бездействия.

АВТОМАТИЧЕСКАЯ МОЙКА - ПАНЕЛЬ С КНОПКАМИ

Функционирование системы мойки происходит полностью в автоматическом режиме: достаточно выбрать желаемую программу.

При выключенной панели управления нажмите кнопку "SET".

На дисплее появится CLN_01. Воспользуйтесь кнопками "+" и "-" до тех пор, пока не появится желаемая функция. Снова нажмите Кнопка «SET», чтобы запустить выполнение программы.

CLN_01: БЫСТРАЯ мойка (45 минут).

CLN_02: мойка СРЕДНЕЙ ПРОДОЛЖИТЕЛЬНОСТИ (56 минут).

CLN_03: ДОЛГАЯ мойка (65 минут).

CHr: заполнение насоса подачи моющего средства (3 минуты).

Заполнение насоса подачи моющего средства посредством программы CHr должно выполняться в следующих случаях:

- При первом включении после установки.
- Каждый раз, когда опустошается ёмкость с моющим средством.
- После длительного периода бездействия.

ВАЖНО

ВНИМАНИЕ: для безупречного функционирования системы мойки перед запуском одной из программ мойки (CLN_01, CLN_02, CLN_03) убедитесь, что температура в варочной камере находится в пределах от 90 °C до 140 °C. Запускать мойку при более высоких температурах не рекомендуется.

Оборудование предназначено для мойки профессиональных печей. Следует избегать любого другого использования, так как оно будет являться использованием не по назначению и может представлять опасность.

Перед запуском цикла мойки убедитесь, что отверстие для слива воды на днище варочной камеры не закупорено во избежание затопления самой камеры.

Никогда не открывайте дверцу варочной камеры в процессе выполнения мойки: возможен выброс нагретых химических веществ, которые используются при мойке, что может стать причиной ожогов у людей и привести к коррозии оборудования.

По окончании каждой мойки проверяйте, что в варочной камере не осталось следов чистящего средства. Удалите возможные остатки чистящего средства и ополосните варочную камеру вручную.

Рекомендуется использовать моющее средство, одобренное компанией-производителем оборудования.

Использование неподходящего моющего средства может привести к повреждению системы мойки и нарушению целостности варочной камеры, аннулируя также гарантию на изделие.

ОПОВЕЩЕНИЯ И СИГНАЛЫ ТРЕВОГИ

Все сигналы тревоги сопровождаются включением зуммера. Для отключения зуммера необходимо нажать на кнопку.

Er1 СИГНАЛ ТРЕВОГИ С ДАТЧИКА В КАМЕРЕ:

Появляется в случае повреждения датчика в камере. Все выключается, кроме подсветки; выполняемый цикл прерывается.

Er2 СИГНАЛ ТРЕВОГИ С ДАТЧИКА-ЩУПА

Появляется в случае повреждения датчика-щупа в процессе приготовления, где используется такой датчик. Все выключается, кроме подсветки; выполняемый цикл прерывается.

ALL СИГНАЛ ТРЕВОГИ С ДВИГАТЕЛЯ

Появляется в случае перегрева двигателя. Все выключается, кроме подсветки; выполняемый цикл прерывается.

После исчезновения сигнала тревоги нажмите кнопку ON/OFF (ВКЛ/ВЫКЛ) и удерживайте её в течение 1 секунды, чтобы сбросить сигнал тревоги (произойдёт выключение панели управления).

H+ СИГНАЛ ТРЕВОГИ ТЕМПЕРАТУРА ПЛАНКИ С УПРАВЛЯЮЩЕЙ МИКРОСХЕМОЙ

Появляется в случае перегрева планки с управляющей микросхемой. Выполняемый цикл прерывается.

После исчезновения сигнала тревоги нажмите кнопку ON/OFF (ВКЛ/ВЫКЛ) и удерживайте её в течение 1 секунды, чтобы сбросить сигнал тревоги (произойдёт выключение панели управления).

Производитель оставляет за собой право вносить изменения в конструкцию, дизайн и комплектацию изделия без предварительного уведомления.

VENIX SRL
VIA DELLA FORNACE, 49
31023 CASTELMINIO DI RESANA (PD)
ITALIA